

# Where is the photovoltaic grid line located



## Overview

---

Solar panel grid lines are the visual lines present across the surface of solar panels, marking the layout of photovoltaic cells. The utility connection for a PV solar system is governed by the National Electrical Code (NEC) Article 690. Always refer to the NEC code in effect or consult a licensed electrician for safety and accuracy. For instance, the horizontal lines signify intervals for optimal sunlight alignment, allowing for adjustments in installation angles based. All solar farms connect to a specific point on the electrical grid, the vast network of wires that connects every power generation plant to every home and business that consumes power. That point is called the “point of interconnection,” or POI. The POI is different for utility-scale versus. From a distance, photovoltaic panels appear to be solid black or blue. This diagram is the electrical roadmap of your photovoltaic installation, providing a clear, concise overview of the entire system for the Authority Having Jurisdiction (AHJ). Most PV systems are grid-tied systems that work in conjunction with the power supplied by the electric company. A grid-tied solar system has a special inverter that can receive power from the grid or send grid-quality AC power to the utility grid when there is an excess of energy from the solar.

## Where is the photovoltaic grid line located

---



### Why Do Photovoltaic Panels Have Grid Lines? , IWS

Grid Lines on Photovoltaic Panels Have A Purpose  
Photovoltaic Panels with Less-Visible Grid Lines  
Choosing The Right Photovoltaic Panels to Power Your Home  
The white lines on photovoltaic modules serve one of three important purposes, depending on whether they're the gaps, the fingers or the busbars. The gap lines are spaces between the solar cells, through which you can see the panel's white backing. The gaps are necessary to allow for thermal expansion of the cells when the panels heat in t...  
See more on intermtnwindandsolar  
Published: expertce

### How to Create a Single-Line Diagram for a PV System ...

A single-line diagram, often abbreviated as SLD, is a simplified schematic that uses single lines and standardized symbols to represent the electrical distribution ...

[Get Price](#)

---

## Designing a Simplified Solar Power Plant Layout

A solar power plant single line diagram is

a simplified representation of the electrical connections and components in a solar power plant. It shows how the solar panels are connected to the inverters, ...

[Get Price](#)



## Shanghai Fengxian Rooftop solar project II

To access additional data, including an interactive map of global solar farms, a downloadable dataset, and summary data, please visit the Global Solar Power Tracker on the Global ...

[Get Price](#)

## How to connect a PV solar system to the utility grid

There are two basic approaches to connecting a grid-tied solar panel system, as shown in the wiring diagrams below. The most common is a "LOAD SIDE" connection, made AFTER the main breaker. ...

[Get Price](#)



## Grid-Connected Solar Photovoltaic (PV) System

Usually, the modules can be installed on the roof of the building or a parking



structure, so land is not sacrificed for the array. The system can be set up so that any excess power is sold back to the utility, ...

[Get Price](#)

---

## How Does a Solar Farm Connect to the Grid?

A distribution line is conceptually the same as a transmission line but moves electricity at a much lower voltage. A distribution line must be within one mile of your property (or preferably much less) to make ...

[Get Price](#)



---

## How to read solar panel grid lines , NenPower

Solar panel grid lines are the visual lines present across the surface of solar panels, marking the layout of photovoltaic cells. They guide the installation and adjustment of panels to ...

[Get Price](#)

---

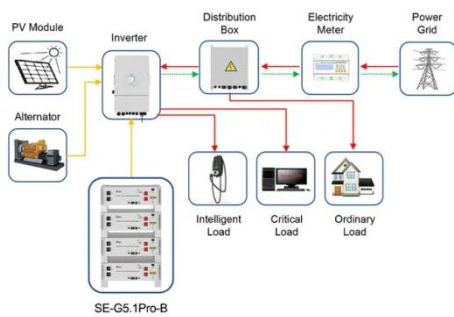
## Why Do Photovoltaic Panels Have Grid Lines? , IWS

The gap lines are spaces between the

solar cells, through which you can see the panel's white backing. The gaps are necessary to allow for thermal expansion of the cells when the panels heat in the sun.

[Get Price](#)

Sample Order  
UL/KC/CB/UN38.3/UL



Application scenarios of energy storage battery products

## What is a Single Line Diagram (SLD)?

Solar plan sets are integral for any PV (Photovoltaic) installer, EPC, or construction company looking to streamline their solar panel installation process. An integral part of these sets is the single-line diagram.

[Get Price](#)

## How to Create a Single-Line Diagram for a PV System Plan Set

A single-line diagram, often abbreviated as SLD, is a simplified schematic that uses single lines and standardized symbols to represent the electrical distribution path of a PV system.

[Get Price](#)



## What is the grid line of photovoltaic panels



Through this grid-tied connection, the system can capture solar energy, transform it into electrical power, and supply it to the homes where various electronic devices

[Get Price](#)

---

## Contact Us

---

For catalog requests, pricing, or partnerships, please visit:  
<https://www.cannabiswow.es>

