

# When will solar power generation pay off

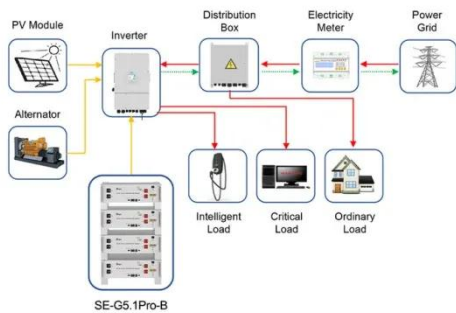


## Overview

---

Most solar panels pay off in seven to 12 years. Geographic location, government incentives and your household's electricity usage impact how quickly your solar investment will break even. Federal Tax Credit Urgency: The 30% federal solar tax credit is under threat of termination by the end of 2025, making immediate action critical for maximizing savings. This incentive alone can reduce system costs by \$7,000-\$9,000 for typical installations. Regional Payback Variations Are Extreme: Switch to solar with a system built for you. Join over 8,000 people who received a free, no obligation quote in the last 30 days. Understanding what drives those differences helps you evaluate whether solar makes sense for your home—and which financing option gets you. In 2024, the median cost per watt for a solar panel system in the United States reached an all-time low of \$2.50, representing a more than 33% decline compared to 2014 prices. Location Matters: Regions with higher sunlight exposure and favorable incentives can significantly reduce the time it takes for solar. For residential solar installations, payback periods typically range from 6 to 10 years, depending on factors such as system size, location, energy consumption, and available incentives.

## When will solar power generation pay off



Application scenarios of energy storage battery products

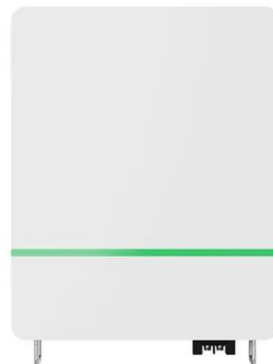
### How Long Does It Take to Pay Off Solar Panels?

Discover how long it takes to pay off solar panels, payback time factors and tips to maximize savings. Learn about costs and financing options.

[Get Price](#)

### How long will the solar panels take to pay for themselves?

To calculate your payback on solar panels, you will need to figure out how much money you currently spend on electricity. The simplest way to get this figure is from your electricity bill. Look ...



[Get Price](#)



### Solar Panel Break Even Calculator: When Will Your Investment Pay ...

Calculate when your solar panels will break even. Free calculator + expert guide covering payback periods, costs, and savings by state. Updated 2025.

[Get Price](#)

### What Is the Average Payback

## Period for Solar Panels?

Going solar pays off - the only question is when you'll break even To recap, the average payback period for solar panels is 7-10 years, but can vary depending on your solar costs, electricity ...

[Get Price](#)



## Solar Panel Payback Period: What to Expect and When It Pays Off

Curious how long it takes for solar panels to pay for themselves? This guide breaks down payback timelines, savings, and how to calculate your return.

[Get Price](#)

## What Is the Solar Payback Period? Everything You Should Know

What Is the Average Solar Payback Period? How long your solar payback period will take depends on myriad factors. However, most homeowners who switch to residential solar power recoup their ...

[Get Price](#)



## Solar payback in 2025: how long until panels truly pay?



Discover solar panel payback periods in 2025. Explore evolving solar costs, calculate your investment return, and learn how energy storage maximizes your savings and achieves energy ...

[Get Price](#)

---

## Residential Solar Power: How It Works And When It Pays Off

Learn how residential solar power works, why costs are falling worldwide, and how to calculate your payback period with clear examples and real data.

[Get Price](#)



---

## Solar payback period: How soon will it pay off?

For the average solar shopper, that translates to around \$61,093 in savings over 25 years. Your payback period depends on your electricity costs, system size, and how you pay for ...

[Get Price](#)

---

## How many years does it take for solar to pay for itself

Understanding the payback period is crucial for making an informed decision about switching to solar power. The time

it takes for your solar system to break even depends on several ...

[Get Price](#)



## Solar payback period: How soon will it pay off?

For the average solar shopper, that translates to around \$61,093 ...

[Get Price](#)

## Contact Us

For catalog requests, pricing, or partnerships, please visit:  
<https://www.cannabiswow.es>

