

What are the dimensions of the solar panel mounting profiles



What are the dimensions of the solar panel mounting profiles



2MW / 5MWh
Customizable

VEVOR Solar Panel Mounting Brackets Solar Panel Mount Kit with 10 ...

Easy Installation: This solar panel mounting kit comes with 10 guide rails (4-inch), 4 end clamps, 6 mild clamps, a set of accessories and detailed instruction manual, ensuring a quick installation; Users can ...

[Get Price](#)

Solar Panel Size & Dimensions Guide 2025 , Complete Specs

In this comprehensive guide, you'll learn everything you need to know about solar panel sizing, from standard dimensions to weight considerations, helping you determine the perfect solar ...



[Get Price](#)



Fixed Solar Mounting Structure Drawing , PDF , Equipment

This document provides design details for a solar panel mounting structure including: 1) Dimensions and specifications for various steel beams and plates that make up the structure including IPEAA beams, ...

[Get Price](#)

Standard Solar Panel Sizes And Wattages (100W-500W Dimensions)

The goal here is to get to the average solar panel size by wattage. You can find typical dimensions of 100W, 150W, 170W, 200W, 200W, 220W, 300W, 350W, 400W, and 500W solar panels summarized ...



[Get Price](#)



Understanding Solar Panels Dimensions: A Guide to Choosing the ...

This guide will break down standard solar panels dimensions, explain how solar panels height weight impact efficiency, and help you in calculating solar panel size for your home or business.

[Get Price](#)

PV , Solar mounting system profiles , Welser Profile

Our steel profiles are renowned for consistently displaying the tightest tolerances around straightness, twist and camber. Combined with optimal material selection and the highest corrosion resistance, Welser ...



[Get Price](#)

Solar Frame Mounting Profiles



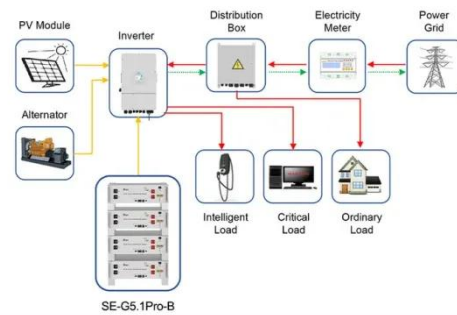
With precise dimensional processing and flexible connection structures, they offer broad compatibility, fitting most standard solar panel sizes (60-cell, 72-cell) and adapting to diverse installation scenarios ...

[Get Price](#)

What are the dimensions of standard solar panel steel parts?

In this blog post, I will delve into the various dimensions of standard solar panel steel parts, providing valuable insights for those involved in the solar industry.

[Get Price](#)



Application scenarios of energy storage battery products



Mount Sizing & Pole Specs

There are new modules on the market all the time with different wattage, mounting hole spacing, and frame dimensions. This chart gives an approximate guideline of how many modules fit on our mounts.

[Get Price](#)

Contact Us

For catalog requests, pricing, or partnerships, please visit:

<https://www.cannabiswow.es>

