

Vertical battery cabinet customized base station



Vertical battery cabinet customized base station



VERTICAL BATTERY BOX RACK SOLUTION

Unlock the full potential of your energy storage system with our Vertical Battery Box Set Customized Solutions. Contact us today to discuss your requirements and let us help you power your ...

[Get Price](#)

Battery Rack Fabrication , Custom Welded Racks for ESS, EV

Custom fabrication of welded battery racks for ESS, EV, UPS, and telecom. Carbon/stainless steel, modular, powder-coated. ISO, CE, AWS certified.



[Get Price](#)

Energy Storage Enclosures/Cabinets , Modular Design to Meet ...



Our battery storage cabinets are constructed with a modular design, providing optimal flexibility for businesses across various sectors. Our power storage cabinets also adhere to safety and quality ...

[Get Price](#)

Custom Battery Enclosures , Lithium Battery Enclosures , EV Battery ...

From concept and design to fabrication and assembly, Bull Metal Products manufactures custom battery enclosures, lithium battery boxes, and battery cabinets with the highest quality and safety standards.



[Get Price](#)



Battery Racks with Multiple Configurations for Backup Systems

We offer multiple battery racks with different configurations, including both rack mount and cube layout units. Either option can be custom configured.

[Get Price](#)

Battery Cabinet, Battery Storage Cabinet, Battery Bank Rack

Engineered for use with most type of battery terminal models, these cabinets can fit a wide variety of applications. This solution is completely customizable and flexible to support your application

...

[Get Price](#)



Battery Racks & Cabinets -

StackRack Battery Systems

Explore StackRack's modular battery systems for residential, commercial, and utility-scale projects. Offering expert design, engineering and project management.

[Get Price](#)



- IP65/IP55 OUTDOOR CABINET
- ALUMINUM
- OUTDOOR ENERGY STORAGE CABINET
- OUTDOOR EQUIPMENT CABINET

Battery and Energy Storage - Fabricated Metals , Custom & OEM ...

We design and manufacturer each battery enclosure to meet the precise needs and requirements of YOUR project. Every Battery Enclosure is manufactured to spec, meeting size and weight load ...

[Get Price](#)



12V 10AH



Battery and Charger Cabinets & Enclosures

There are many different options and accessories available, making every system unique and built to your site-specific needs. They can be constructed with batteries, battery/charger combinations, and ...

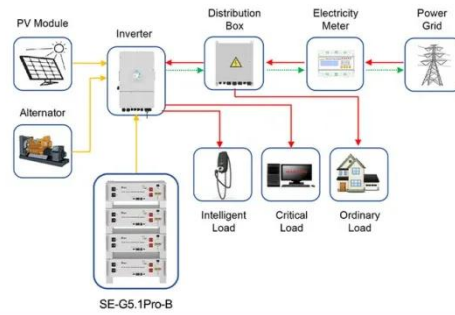
[Get Price](#)

Base Station Battery Cabinet

The microgrid system is custom-

designed by integrating clean energy, energy storage systems, the public grid, and generators, tailored to meet the specific needs of the customer.

[Get Price](#)



Application scenarios of energy storage battery products

Contact Us

For catalog requests, pricing, or partnerships, please visit:
<https://www.cannabiswow.es>

