

# The real photovoltaic energy storage concept stock



## Overview

---

The leading photovoltaic energy storage stocks for investment consideration include \*\* Enphase Energy, NextEra Energy Partners, Tesla, and Array Technologies. The end of electric vehicle and solar credits can't stop a battery tech revolution. The landmark tax-and-spending legislation signed into law by President Donald Trump on July 4 changed a lot of. If you're a believer in the future of solar power and can look past the recent volatility from rising energy prices, Forbes Advisor would like to share with you what we believe are among the best solar power stocks to consider right now. Companies in the industry are working to transition the global economy from fossil fuels such as oil and natural gas to renewable energy sources. As we hurtle toward a grid dominated by solar, wind, and decentralized power, a new class of clean tech stocks is emerging to solve the greatest challenge.

## The real photovoltaic energy storage concept stock

---

### Top Solar Energy Stocks for 2026 and How to Invest



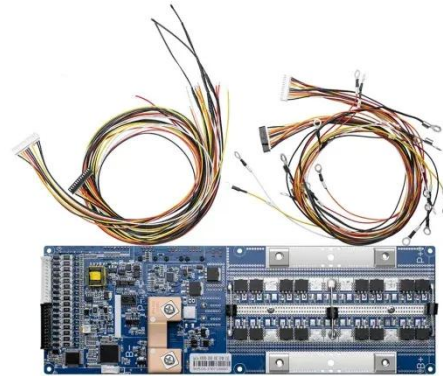
Explore the best solar energy stocks to invest in and capitalize on the growing clean energy market. Find top companies driving innovation and strong returns.

[Get Price](#)

---

### What are the best photovoltaic energy storage stocks?

Photovoltaic energy storage refers to the integration of solar energy generation and storage systems that allow for the harnessing, storing, and efficient use of solar power.



[Get Price](#)

---



### Best Solar Power Stocks - Forbes Advisor

While each solar stock has experienced its own ups and downs, all the names on this list have seen double-digit sales growth on average over the last three years.

[Get Price](#)

---

### Top Energy Storage Stocks for

## 2026: LDES & the Grid-Scale Boom

In this report, we highlight the top energy storage stocks to watch--curated for their exposure to the grid-scale buildout and long-duration energy storage (LDES) innovations.

[Get Price](#)



## Clean Tech Moonshots: 7 Energy Storage Stocks to ...

Discover 7 innovative clean tech stocks disrupting energy storage and grid tech. These future-forward picks could deliver 10x returns.

[Get Price](#)

## The 13 Best Energy Storage Stocks To Buy For February 2026

Read on to learn about some of the top energy storage stocks on the market and why you should consider investing in them. As the world shifts towards renewable energy, investment in ...

[Get Price](#)



## 7 Energy Storage Stocks to Invest In , Investing , U.S. News

Investors interested in grid-scale storage



with low risk may want to consider this utility stock instead of more direct and volatile plays on lithium and battery technology.

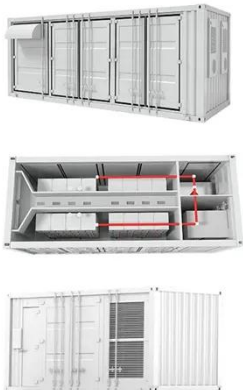
[Get Price](#)

---

## 7 Energy Storage Companies and Grid Stocks to Buy

The following companies are well positioned to benefit from this dynamic energy storage market.

[Get Price](#)



---

## Top Solar Energy Stocks for 2026 and How to Invest

In this report, we highlight the top energy storage stocks to watch--curated for their exposure to the grid-scale buildout and long-duration energy storage (LDES) innovations.

[Get Price](#)

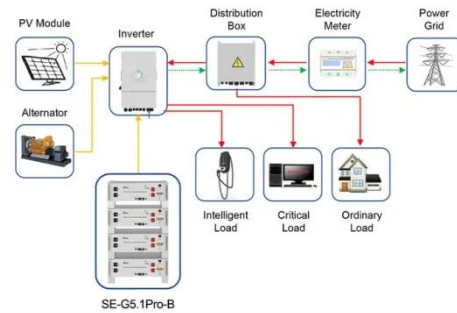
---

## Top Renewable Energy & Battery Storage Stocks Worth Investing in ...

These factors collectively support the sustainable expansion of renewable

energy and storage companies, positioning them as attractive investment opportunities in an evolving global energy

[Get Price](#)



Application scenarios of energy storage battery products

- LiFePO<sub>4</sub> Battery, safety*
- Wide temperature: -20~55°C*
- Modular design, easy to expand*
- The heating function is optional*
- Intelligent BMS*
- Cycle Life: > 6000*
- Warranty: 10 years*



## New Energy Storage Photovoltaic Stocks: The Bright Future of Investing

Without storage, solar energy is like a burst of confetti--spectacular but fleeting. The magic happens when companies combine PV tech with advanced storage solutions like lithium-ion batteries ...

[Get Price](#)

## Contact Us

For catalog requests, pricing, or partnerships, please visit:  
<https://www.cannabiswow.es>

