

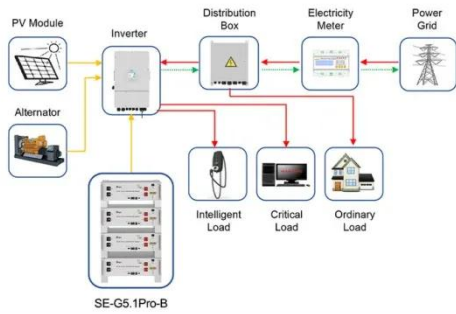
The first solar power station in Northeast China



Overview

In 2025, China's first 100 megawatt molten salt tower solar thermal power station located on the vast Gobi Desert in Dunhuang, Gansu has been operating stably, becoming an important demonstration project in the field of clean energy in China and even globally. China is the largest market in the world for both photovoltaics (PV) and solar thermal energy. Its PV capacity crossed 1,000 gigawatt (one terawatt, 1 TW) in May 2025. China has flicked the switch on the world's first dual-tower solar thermal power station, a. China has commissioned the world's first dual-tower solar thermal plant (pictured above) near Guazhou County in Gansu Province. From 2020 to 2024, Heilongjiang increased its share of clean power generation by more than any other province in China except Liaoning, also in the north-east (Image: Xinhua / Alamy) China has been. In a first, China has switched on a solar thermal power station in the Gobi Desert, a project described as a more cost-effective and efficient use of the technology, with the potential to be scaled up, South China Morning Post reported.

The first solar power station in Northeast China



Application scenarios of energy storage battery products

China's solar great wall to power Beijing

In November 2024, a three-gigawatt solar power station in Otog Front Banner of Ordos, built by CHN Energy Investment Group, was connected to the grid. It is currently the largest single-capacity solar ...

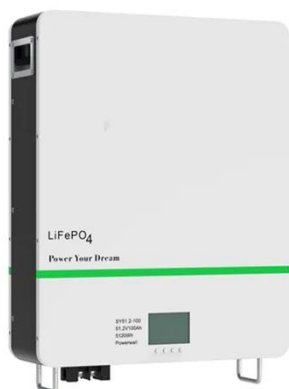
[Get Price](#)

Solar power in China

In 2011, China owned the largest solar power plant in the world at the time, the Huanghe Hydropower Golmud Solar Park, which had a photovoltaic capacity of 200 MW.



[Get Price](#)



World's 1st dual-tower solar plant to make 1.8 billion kWh yearly

China has reportedly developed the world's first dual-tower solar thermal plant near Guazhou County in Gansu Province to enhance efficiency and reduce carbon dioxide emissions.

[Get Price](#)

How China built the world's first solar thermal power station with

China has unveiled the world's first dual-tower solar thermal power station in the Gobi Desert, using 27,000 mirrors to generate renewable energy round the clock, a landmark in clean energy innovation.

[Get Price](#)



China s first solar power station

It described the Qinggang Photovoltaic Power Station as China's first intertidal PV project, with 242,000 solar modules deployed across an area spanning 1.2 million square meters.

[Get Price](#)

World's first solar-thermal power plant commences in China's Gobi

The thermal power station built by the China Three Gorges Corporation, the plant in Guazhou County, uses two towers to feed a single turbine system. Approximately 27,000 mirrors have been installed ...

[Get Price](#)



Dunhuang 100MW molten salt tower solar thermal power station put ...



In 2025, China's first 100 megawatt molten salt tower solar thermal power station located on the vast Gobi Desert in Dunhuang, Gansu has been operating stably, becoming an important demonstration ...

[Get Price](#)

Solar power farms on plateau fuel China's green energy revolution

Their voracious appetite, once a headache for environmentalists, has now become essential for maintaining the smooth operation of the solar power station. In 2012, the prefecture initiated the construction ...

[Get Price](#)



China's north cleans up its power mix as the south lags

The Xinghuo PV power station in Heilongjiang province, north-east China, in operation since 2022. From 2020 to 2024, Heilongjiang increased its share of clean power generation by more than any other ...

[Get Price](#)



China's dual-tower solar-thermal plant launched in Gobi

...

China has switched on its first dual-tower solar-thermal power station, using concentrated heat to generate power even after sunset.

[Get Price](#)



Contact Us

For catalog requests, pricing, or partnerships, please visit:
<https://www.cannabiswow.es>

