

Summary of the Energy Storage System Book



Overview

This book offers an in-depth exploration of energy storage systems, tracing their historical development, examining current technologies, and exploring future advancements. In this book, you will discover: Origins and Evolution: Understand the historical milestones and foundational. Part of the book series: Green Energy and Technology (GREEN) This is a preview of subscription content, log in via an institution to check access. This book examines different energy storage technologies, empowering the reader to make informed decisions on which system is best suited for their. Umakanta Sahoo is a distinguished expert in the field of energy storage solutions, with a robust academic background and extensive research experience. 55771 ISBN: 979-8-9907836-5-2 | @Abdellatif M. Sadeq, 2023 fPREFACE Greetings to the domain of Energy Storage Systems (ESS), a sphere where inventive ideas blend with eco-friendliness to influence the trajectory of energy.

Summary of the Energy Storage System Book



Energy Storage Systems: Fundamentals, Classification and a

The book contains a detailed study of the fundamental principles of energy storage operation, a mathematical model for real-time state-of-charge analysis, and a technical analysis of the latest ...

[Get Price](#)

Energy Storage Systems

This short book looks at all the options, their potentials and their limits. There are no clear winners, with some being suited to short-term balancing and others to longer-term storage.



[Get Price](#)



Energy Storage , Wiley Online Books

This groundbreaking new volume in this forward-thinking series addresses all of these issues, laying out the latest advances and addressing the most serious current concerns in energy ...

[Get Price](#)

Energy Storage Architecture

Energy storage systems (ESS) exist in a wide variety of sizes, shapes and technologies. An energy storage system's technology, i.e. the fundamental energy storage mechanism, naturally affects its ...

[Get Price](#)



Energy Storage Systems

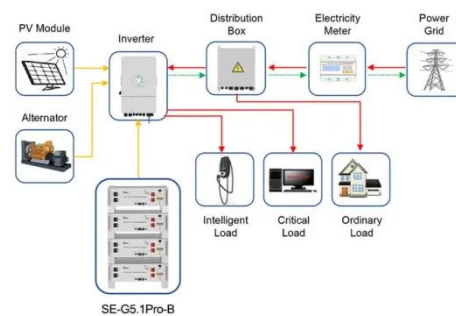
The book offers an in-depth exploration of energy storage systems, from their historical development to current and future technologies, providing valuable insights into their applications

[Get Price](#)

(PDF) Energy Storage Systems: A Comprehensive Guide

This book thoroughly investigates the pivotal role of Energy Storage Systems (ESS) in contemporary energy management and sustainability efforts. Starting with the essential significance ...

[Get Price](#)



Application scenarios of energy storage battery products

Energy Storage Devices

The book explores the role of energy storage systems in energy networks with large-scale renewable energy systems such as solar, wind, hydropower and

tidal energy.

[Get Price](#)



Energy Storage Chapter Summary , Umakanta Sahoo

This comprehensive volume not only explores innovative energy storage system designs but also addresses pressing concerns that engineers, researchers, and industry professionals face ...

[Get Price](#)



(PDF) Energy Storage Systems- A Comprehensive Guide

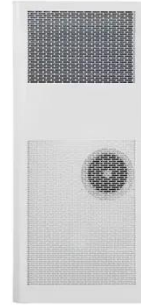
With the rise of renewable energy sources, an escalating need for electrification, and an ever-expanding appetite for sustainable solutions, ESS have emerged as critical cornerstones in the global energy shift.

[Get Price](#)

Comprehensive review of energy storage systems technologies, ...

This paper presents a comprehensive review of the most popular energy storage systems including electrical energy storage systems, electrochemical energy storage systems, mechanical ...

[Get Price](#)



Contact Us

For catalog requests, pricing, or partnerships, please visit:
<https://www.cannabiswow.es>

