

Structural components of energy storage equipment



Structural components of energy storage equipment



Designing Structural Electrochemical Energy Storage Systems: A

Structural energy storage devices (SESDs), designed to simultaneously store electrical energy and withstand mechanical loads, offer great potential to reduce the overall system weight in applications ...

[Get Price](#)

Structural Parts of Energy Storage Equipment: The Backbone of ...

You know, when people talk about energy storage, they're usually hyped about battery chemistry or software algorithms. But structural parts? They're like the unsung heroes keeping everything from ...

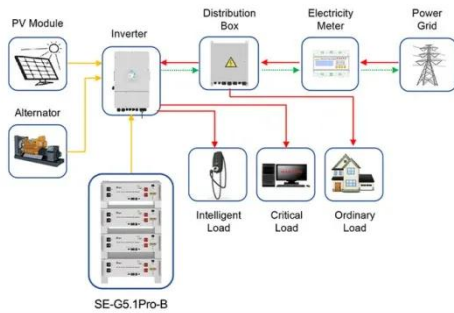


[Get Price](#)

Battery Energy Storage System Components

Explore the key components of a battery energy storage system and how each part contributes to performance, reliability, and efficiency.

[Get Price](#)



Application scenarios of energy storage battery products

Structural composite energy storage devices -- a review

One is based on carbon fiber-reinforced polymer, where surface-modified high-performance carbon fibers are used as energy storage electrodes and mechanical reinforcement. ...



[Get Price](#)



Appearance and Structure of Energy Storage Equipment Design: ...

Summary: Energy storage equipment design combines functionality with aesthetics to meet diverse industrial needs. This article explores structural innovations, material choices, and real-world ...

[Get Price](#)

Structural Composition of Energy Storage Equipment: Key ...

Summary: Explore the structural composition of energy storage equipment, its critical components across industries, and emerging trends shaping renewable energy systems.

[Get Price](#)



Energy Storage Product Structural Parts: The Backbone of Modern ...

These components are like the skeleton of a T-Rex - nobody talks about them, but without 'em, everything falls apart. Let's dig into why engineers lose sleep over bolt materials and ...

[Get Price](#)

Energy Storage Support Structure Guide: BESS Frames, Systems

This comprehensive guide explores the multifaceted nature of energy storage support structures, highlighting how integrated engineering expertise is essential for successful project deployment.

[Get Price](#)



What are the components of energy storage equipment?



The structural framework encompasses the physical construction of energy storage systems, providing the necessary support and safety for all components. This aspect includes the ...

[Get Price](#)

The Primary Components of an Energy Storage System

At the most basic level, an individual battery cell is an electrochemical device that converts stored chemical energy into electrical energy. Each cell contains a cathode, or positive terminal, and ...



[Get Price](#)

Contact Us

For catalog requests, pricing, or partnerships, please visit:
<https://www.cannabiswow.es>

