

# Standards and specifications for the area occupied by photovoltaic brackets



## Overview

---

The Federal Energy Management Program (FEMP) provides this tool to federal agencies seeking to procure solar photovoltaic (PV) systems with a customizable set of technical specifications. The Renewable Energy Ready Home (RERH) specifications were developed by the U. Contact FEMP for. Section 140. These requirements apply to buildings where at least 80 percent of the total floor area (conditioned or not) serves one or. and is freely available for personal use. Commercial use by those not holding a valid licence to use the MCS mark is prohibited. In the context of t role to play in the future of UK energy. MC heat pumps, biomass, and battery storage. Since PV is such a global industry it is critical that PV products be mea ured and qualified the same way everywhere in the world. Abstract—The rapid deployment of large numbers of utility-scale photovoltaic (PV) plants in the United States, combined with heightened expectations of future deployment, has raised concerns about land requirements and associated land-use impacts.

## Standards and specifications for the area occupied by photovoltaic



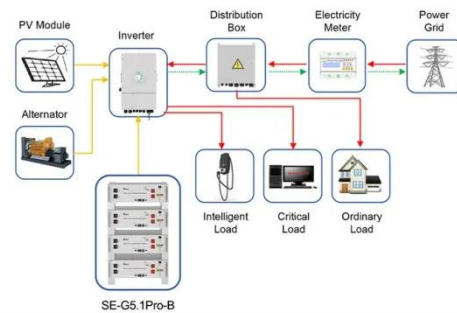
### Building Codes for Solar Panel Installation

In this article, we'll dive deep into the ins and outs of building codes for solar panel installation, covering everything from structural integrity and electrical safety to fire prevention and ...

[Get Price](#)

### Land Requirements for Utility-Scale PV:

The amount of land occupied by utility-scale PV plants has grown significantly, and will continue to-- raising valid concerns around land requirements and land-use impacts (such as taking farmland out ...



Application scenarios of energy storage battery products

[Get Price](#)



### Land Requirements for Utility-Scale PV: An Empirical Update on ...

We use ArcGIS to draw polygons around satellite imagery of each plant within our sample and to calculate the area occupied by each polygon.

[Get Price](#)

## 2025 Nonresidential Solar PV

Solar access roof area (SARA) includes roof areas, covered parking, carports, and newly constructed structures on the property that can support a solar PV system per Title 24, Part 2, Section 1511.9.

[Get Price](#)



### MCS 2025 Solar PV : Installation Standard

4.1.1 The solar PV system shall be commissioned according to a documented procedure to ensure that the system is safe, has been installed in accordance with the requirements of this Standard and the ...

[Get Price](#)

## Code Requirements for Solar Photovoltaic (PV) Systems

It is intended to minimize permitting uncertainty and differing interpretation regarding specific code requirements for solar PV installations.

[Get Price](#)



### Photovoltaic bracket design standards and specifications

The safe and reliable installation of photovoltaic (PV) solar energy systems



and their integration with the nation's electric grid requires timely development of the foundational codes and

[Get Price](#)

---

## Technical Specifications for On-site Solar Photovoltaic Systems

Customizable template for federal government agencies seeking the construction of one or more on-site solar PV systems.

[Get Price](#)



## Photovoltaics , Standard Work Specifications

Baseload - Renewable Energy (Roof Interconnected Photovoltaic) Electric Supply. Durable, safe, and effective, renewable energy installation.

[Get Price](#)

---

## Solar Photovoltaic (PV) RERH Specification

Builders that intend to meet both the solar PV and solar water heating RERH

specifications should detail the location and the square footage of the roof area to accommodate both technologies.

[Get Price](#)



---

## Contact Us

For catalog requests, pricing, or partnerships, please visit:  
<https://www.cannabiswow.es>

