

# Standard power scale photovoltaic energy storage cabinet for sale



## Standard power scale photovoltaic energy storage cabinet for sale

---



### Residential Battery Cabinets

Discover the perfect blend of style and functionality with our energy storage cabinets. Engineered to seamlessly integrate into your home, these cabinets offer a sleek and organized solution for your ...

[Get Price](#)

### Outdoor Cabinet Energy Storage System (ESS) for PV Storage

Standardized Structure Design: Includes energy storage batteries, power conversion systems (PCS), photovoltaic modules, and charging modules in a compact and highly efficient cabinet.



[Get Price](#)



### Energy Storage Equipment, Energy storage solutions, Lithium battery

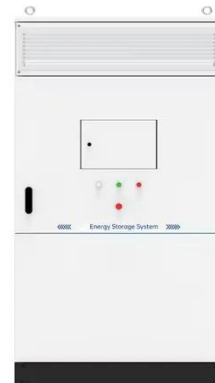
Huijue Group offers industrial and commercial energy storage, PV-BESS -EV Charging, Off-grid / On-grid Microgrid, telecom site solutions, and home solar energy storage, ensuring ...

[Get Price](#)

## 1standard power scale solar energy storage cabinet on sale , etrailer

Find exactly what you're looking for in our diverse selection of 1standard power scale solar energy storage cabinet on sale to make sure you have the perfect solution for your needs.

[Get Price](#)



## Solar Battery Storage Cabinet

The LZY solar battery storage cabinet is a tailor-made energy storage device for storing electricity generated through solar systems. They assure perfect energy management to continue power

...

[Get Price](#)

## Energy Storage Enclosures/Cabinets , Modular Design to Meet ...

Our battery storage cabinets are constructed with a modular design, providing optimal flexibility for businesses across various sectors. Our power storage cabinets also adhere to safety and quality ...

[Get Price](#)



## 100kWh Solar 280Ah LiFePO4 Battery, Air-cooling Energy Storage Cabinet



As the leading vertically integrated manufacturer of lithium iron phosphate battery systems, GSL ENERGY has provided various battery solutions for nearly all kinds of ESS applications.

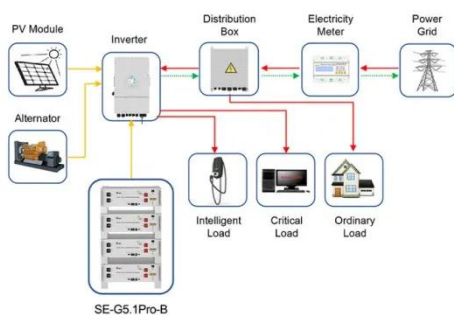
[Get Price](#)

## Home Solar Energy Storage Cabinet-Style Systems

Maximize solar energy usage, reduce energy bills, and ensure reliable backup power. Discover advanced inverters, customizable battery capacities, and remote monitoring options with HighJoule.



[Get Price](#)



Application scenarios of energy storage battery products

## Energy Storage Cabinet Outdoor 20KW 50KWh/ 30KW 60KWh

HBOWA PV energy storage systems offer multiple power and capacity options, with standard models available in 20KW 50KWh, 30KW 60KWh, and 50KW 107KWh configurations. You can add many ...

[Get Price](#)

## Energy Storage

## Cabinet\_SOFAR

Safety designs such as water and electricity separation, three-level fire protection + explosion venting + exhaust, liquid cooling + dehumidification design, all ensure the safety of the energy storage ...

[Get Price](#)



---

## Contact Us

For catalog requests, pricing, or partnerships, please visit:  
<https://www.cannabiswow.es>

