

Solar storage yaounde



Solar storage yaounde



YAOUNDE ENERGY STORAGE PROJECT SITE PROGRESS

Technological advancements are dramatically improving solar storage container performance while reducing costs. Next-generation thermal management systems maintain optimal operating ...

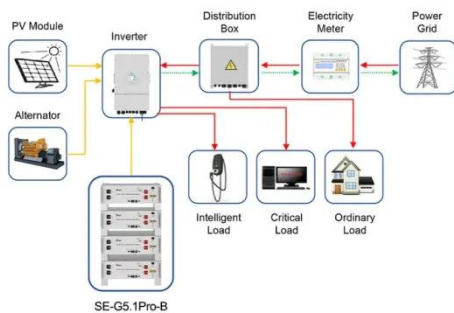
[Get Price](#)

Yaounde energy storage project

The solar PV project was economically viable with a cost of energy (COE) of \$75.43/MWh or \$0.075/kWh and a gross annual GHG emission reduction potential of 61,004.5



[Get Price](#)



Application scenarios of energy storage battery products

YAOUNDE GRID SIDE ENERGY STORAGE PROJECT , EQACC ...

What is HJ mobile solar container?The HJ Mobile Solar Container comprises a wide range of portable containerized solar power systems with highly efficient folding solar modules, advanced lithium ...

[Get Price](#)

Powering Yaounde's Future: Lithium Battery Energy Storage ...

As Cameroon's capital city grows, reliable energy storage becomes crucial for businesses and households. Lithium battery systems now offer Yaounde residents smarter ways to manage ...



[Get Price](#)



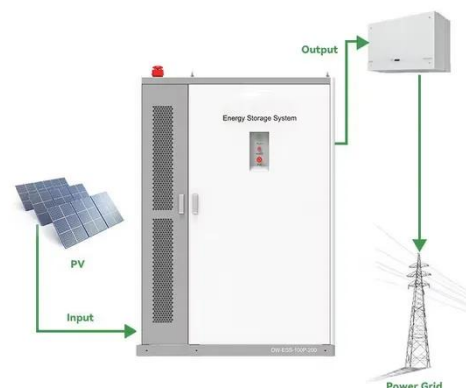
Yaounde Energy Storage Power Station Planning: A Blueprint for

This energy storage initiative positions Yaounde as a regional leader in sustainable power infrastructure. By addressing both current energy deficits and future renewable integration needs, the project ...

[Get Price](#)

Yaoundé Grid-Side Energy Storage Project: A Blueprint for Africa's

The Yaoundé grid-side energy storage project aims to change this narrative through its 52MWh lithium-ion battery array - but is this just a Band-Aid solution or a real game-changer?



[Get Price](#)

Yaounde Industrial and Commercial Energy Storage



Cabinet: ...

With 14 years' experience in African markets, our team delivers turnkey systems featuring: -Customized capacity planning - Localized maintenance networks - 5-year performance warranties ****Conclusion**** ...

[Get Price](#)

Energy Storage Projects in Yaoundé Powering Cameroon s

...

From grid stabilization to enabling renewable adoption, energy storage projects in Yaoundé are rewriting Cameroon's energy rules. As technologies mature and costs decline, these systems will play a ...



[Get Price](#)



Yaounde Photovoltaic Energy Storage Battery: Powering Sustainable

Discover how solar energy storage systems are reshaping Cameroon's renewable energy landscape. Learn about cost-saving strategies, real-world applications, and why Yaounde businesses are ...

[Get Price](#)

YAOUNDE GRID SIDE ENERGY

STORAGE PROJECT

The proposed project will combine wind, solar, battery energy storage and green hydrogen to help local industry decarbonise. It includes an option to expand the connection to 1,200MW. [pdf]

[Get Price](#)



Contact Us

For catalog requests, pricing, or partnerships, please visit:
<https://www.cannabiswow.es>

