

Solar power station power generation and fire protection



Solar power station power generation and fire protection



Photovoltaic Fire Safety Guide: How to Reduce the Risk of Power ...

The risk of fire in photovoltaic power plants is on the rise. This article, based on European policy standards, provides a detailed explanation of design optimization, operation and maintenance ...

[Get Price](#)

Fire Protection for Solar Energy Plants

A fire protection designer in the solar power industry carries a multifaceted role that combines traditional engineering with cutting-edge data analytics. Beyond standard design practices, the role requires in ...



[Get Price](#)



Fire Suppression for Renewable Energy Industry , FirePro(TM)

FirePro modular, light and autonomous fire suppression systems currently protect wind turbines and photovoltaic power stations around the world. Our fire protection engineers can help you utilise our ...

[Get Price](#)

Fire Protection for Solar Farms

Protect your solar farm investment with SolarFire Systems' advanced fire protection solutions. Safeguard against the risk of fire hazards with our tailored detection, suppression, and ...



[Get Price](#)



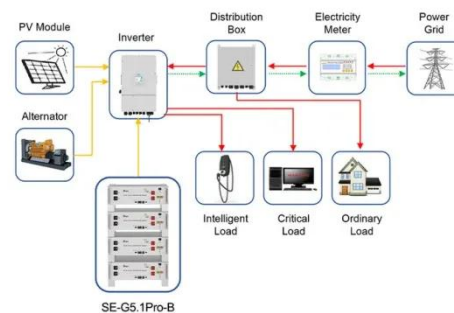
Protecting Solar Farms from Fire

By adopting a proactive approach to fire safety, solar farm operators can ensure the long-term sustainability and safety of their renewable energy installations. Fire Safety for Solar Farms: ...

[Get Price](#)

Fire Protection for Wind, Solar & Energy Storage

Global Fire & Safety designs and maintains fire protection for wind farms, fire safety in energy storage systems, and fire detection for solar facilities to keep clean energy operations safe, ...



Application scenarios of energy storage battery products

[Get Price](#)

Solar power generation fire protection project

Can solar power be used for fireground



operations?eir own fire stations and related facilities. However,from the standpoint of fireground operations at a structural fire,their focus on the topic of

...

[Get Price](#)

Design Discussion on the Fire Fighting for Solar Power Plant

Introduction For solar thermal power stations, which are different from conventional power plants, develop safe, reliable, economical and ...

[Get Price](#)



A Novel Fire Control System for Distributed Photovoltaic Station

Stimulated by the worldwide construction of distributed photovoltaic (PV) power stations, the importance of safety control including fire detection and electrical shut-down for protection of

...

[Get Price](#)

Mitigating fire risks in solar power plants: a comprehensive

...

Fire damage on rooftop solar array. Thorough equipment due diligence helps mitigate risks. Image: CEA. The inverter helps prevent fires in solar systems but can also cause them if not ...

[Get Price](#)



Contact Us

For catalog requests, pricing, or partnerships, please visit:
<https://www.cannabiswow.es>

