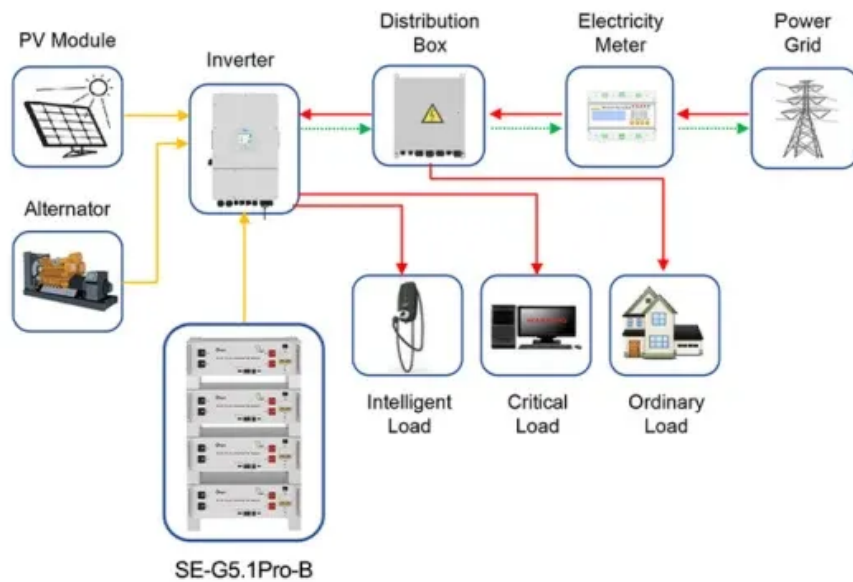


Solar light-chasing and sun-chasing power generation system



Application scenarios of energy storage battery products



Solar light-chasing and sun-chasing power generation system



Application of tilt angle sensor in photovoltaic sun chasing system

This photovoltaic array automatic tracking system can assist photovoltaic modules in accurately tracking solar energy by tracking the trajectory of the sun in real time, ensuring that the sunlight always shines vertically ...

[Get Price](#)

(PDF) Intelligent Solar Chasing Street Light System Design and

This project adopts an advanced microcontroller as the core control unit, which accurately commands the servo drive, realizes the real-time light chasing and charging function of the solar



[Get Price](#)



Research on Intelligent Regulation System of Solar Panels Driven By ...

In this paper, the photoelectric method is used to track the position of the sun, the control process is modeled and simulated in the system. The system is optimally controlled by adding a Kalman filter to the output of ...

[Get Price](#)

What is the principle of solar light chasing function?

The principle of the solar light chasing function involves a system that automatically adjusts the orientation of solar panels to follow the sun's trajectory throughout the day.

[Get Price](#)

Solar Photovoltaic Power Generation System Chasing the Sun

Over the next decades, solar energy power generation is anticipated to gain popularity because of the current energy and climate problems and ultimately become a

[Get Price](#)

Chasing the Sun

In this activity, students learn how the sun can help us make electricity with a device called a solar panel. They are then presented with the challenge of the stationary solar panel versus the moving sun.

[Get Price](#)

Chasing the Sun: Solar Tracking Systems



In this exploration, we'll uncover the captivating mechanics and benefits of solar tracking, illuminating a path toward even more efficient and sustainable power generation.

[Get Price](#)

Automatic Sunflower Solar Tracking and Panel Positioning System

Solar tracking systems are designed to optimize power generation from sunlight by automatically adjusting the position of solar panels to maximize sunlight exposure.

[Get Price](#)



US20020116928A1

Only by making the solar module used in such solar power generation system such that it can chase the sun, it is expected that the magnitude of the foregoing light loss is

[Get Price](#)



DUAL AXIS SOLAR TRACKING SYSTEM USING LDR

This paper will include the design and construction of "Dual axis solar tracking

system by using LDR". This solar move in any direction(horizontal as well as vertical). The proposed system uses IC LM339 Comparator as a ...

[Get Price](#)



Contact Us

For catalog requests, pricing, or partnerships, please visit:
<https://www.cannabiswow.es>

