

# Solar inverter procurement is highly concentrated



## Solar inverter procurement is highly concentrated

---

CE UN38.3 MSDS



### Mastering Grid Tied Inverter Procurement: Essential

Introduction: Navigating the Global Market for grid tied inverter In the rapidly evolving landscape of renewable energy, grid-tied inverters play a pivotal role in harnessing solar, wind, and ...

[Get Price](#)

---

### Inverter Procurement in Indian Solar Market

The Inverter Procurement Challenge: Why Indian Solar Projects Are Stuck in Supply Chain Limbo After watching multiple utility-scale and C& I projects face delays across Gujarat, ...



[Get Price](#)

---

### PHOTOVOLTAIC MODULES AND INVERTERS

The different inverter types available in the market are central inverters, string inverters, micro inverters, smart inverters and battery-based inverters. Central inverters are centrally connected ...

[Get Price](#)

---



## Executive summary - Solar PV Global Supply ...

Solar PV Global Supply Chains - Analysis and key findings. A report by the International Energy Agency.

[Get Price](#)



 **Efficient Higher Revenue**

- Max. Efficiency 97.5%
- Max. PV Input Voltage 600V
- 150% Peak Output Power
- 2 MPPT Trackers, 150% DC Input Oversizing
- Max. PV Input Current 15A, Compatible with High Power Modules

 **Intelligent Simple O&M**

- IP66 Protection Degree: support outdoor installation
- Smart I-V Curve Diagnosis Function: locate PV string faults accurately and automatically detect faults
- DC & AC Type SPD prevent lightning damage
- Battery Reverse Connection Protection

 **Flexible Abundant Configuration**

- Plug & Play, EPS Switching Under 30ms
- Compatible with Lead-acid and Lithium Batteries
- Max. 6 Units Inverters Parallel
- ARC Function (Optional) when an arc fault is detected the inverter immediately stops operation

## The Ultimate Guide to Wholesale Solar Inverter: Sourcing, ...

Explore the world of wholesale solar inverter sourcing, buying bulk solar inverters, and maximizing profits with B2B PV equipment from reliable China solar inverter wholesale suppliers.

[Get Price](#)

## Centralized Procurement of Photovoltaic Inverters Key Strategies ...

SunContainer Innovations - Centralized procurement of photovoltaic inverters has become a cornerstone strategy for utility-scale solar projects and commercial energy systems. This article ...

[Get Price](#)



## Chinese PV Industry Brief: CEEC launches 15 GW inverter

## procurement ...



China Energy Engineering Corporation (CEEC) announced the shortlisted candidates for its 2024 annual PV inverter procurement. Sungrow, Huawei, and Sineng each secured top candidate positions in two ...

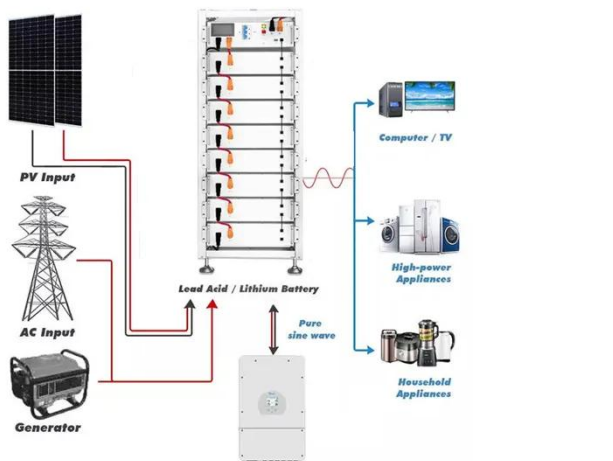
[Get Price](#)

## World's Largest Solar Module & Inverter Procurement Process ...

The engineering giant had sought a 51 GW supply each of modules and inverters in November 2024 (see 51 GW: World's Largest Ever Solar Module & Inverter Bid). According to the ...



[Get Price](#)



## Solar Industry's Procurement Challenges and Opportunities

The procurement process in the solar industry presents both challenges and opportunities. While supply chain disruptions, material shortages, and regulatory hurdles can complicate procurement, ...

[Get Price](#)

## Procurement and Supply Chain Management in Solar Electric

...

Discover how solar project managers optimize procurement and supply chains in solar electric power generation using advanced BI and analytics.

[Get Price](#)



---

## Contact Us

---

For catalog requests, pricing, or partnerships, please visit:  
<https://www.cannabiswow.es>

