

Solar inverter coating glue



Overview

Top-tier photovoltaic inverter filling glue must meet three core criteria: Thermal Conductivity ($>1.5 \text{ W/mK}$): Efficiently dissipates heat from power semiconductors. Low Coefficient of Thermal Expansion ($\text{CTE} < 50 \text{ ppm/}^\circ\text{C}$): Prevents delamination during temperature swings. We specialize in the formulation of adhesives, potting and encapsulating products for optimal thermal management in solar applications. Our epoxy and polyurethane materials offer a low-cost alternative to replace expensive silicone. Overview | Specifications | Encapsulation Method | References Usage: Ossila's E132 PV & LED Encapsulation Epoxy can be used as an adhesive for. An inverter is an electronic device that can transform a direct current (DC) into alternating current (AC) at a given voltage and frequency. The reverse processing is also applicable whereby the EVA can be used to times longer than that of tr s he. Meta description: Discover how advanced glue filling processes prevent micro inverter failures.

Solar inverter coating glue



Solar power , Definition, Electricity, Renewable Energy, Pros and ...

Virtually nonpolluting and abundantly available, solar power stands in stark contrast to the combustion of fossil fuel and has become increasingly attractive to individuals, businesses, and ...

[Get Price](#)

SOLAR , Division of Information Technology

Students use SOLAR to register for classes, print schedules, view and pay bills, update personal contact information, view transcripts, and submit student employment timesheets.

[Get Price](#)



2026 Guide to Balcony & Plug-In Solar

Can you really plug a solar panel into a wall outlet? Discover how balcony solar works, state-by-state laws, and how much you can save.

[Get Price](#)



What kind of encapsulation adhesive is suitable for packaging solar

Organic silicon potting adhesive has very stable usability and is not affected by UV, high temperature, humidity, or ozone even in harsh environments.

[Get Price](#)

INTEGRATED DESIGN
EASY TO TRANSPORT AND INSTALL,
FLEXIBLE DEPLOYMENT



9 Best Solar Companies in Cheyenne, WY

Going solar can be a great way to lower electricity costs and help the environment by reducing your carbon footprint using renewable energy. Here are some key factors to consider when ...

[Get Price](#)

UV RESISTANT ADHESIVES FOR SOLAR CELLS & PANELS

The SOLARTABTM film adhesive application uses proven fluorinated polymers and patented process to ensure contact resistance as low as traditional solder-tabbing. Melt-tabbing at less than 150°C ...

[Get Price](#)



Is Solar Worth It in 2026 After the 30% Tax Credit Ends?

Discover why rising electricity prices make solar a great investment in 2026,



even after the 30% federal tax credit expires. We break down the long-term savings.

[Get Price](#)

The Power of Silicone Adhesives and Sealants in Solar Panel ...

One often overlooked yet vital component that significantly contributes to these attributes is the adhesive and sealant used in solar panel construction. Among the various options available, ...

[Get Price](#)



To lower electric bills, consumers quietly install DIY solar

Plug-in solar has remained in the shadows because of a lack of safety standards and often costly requirements imposed by utilities, but that's changing.

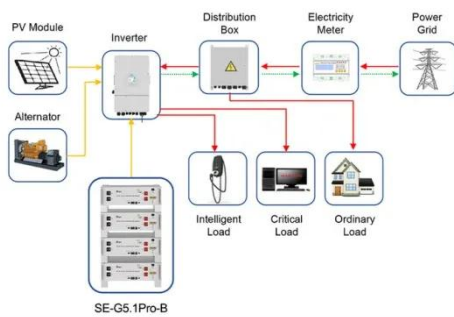
[Get Price](#)

How to use the coating glue for photovoltaic inverter

It's critical for solar installers to

understand how sealants and adhesives can help complete successful projects that withstand extreme temperatures and conditions for decades. By David McDougall, ...

[Get Price](#)



Application scenarios of energy storage battery products

Potting Compounds for Solar Energy Components

We have a wide variety of solar panel materials, from quick-curing adhesives for attaching the junction box to the PV panel to two-component aliphatic polyurethane compounds with exceptional UV ...

[Get Price](#)

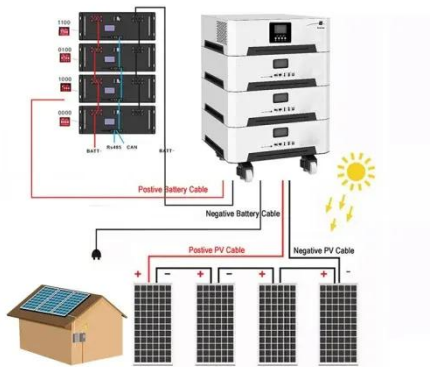
Professional Solar Company in Cheyenne, WY , Apollo Energy

Apollo Energy provides seamless solar installations, maintenance, and energy solutions to help homes and businesses in Cheyenne, WY, maximize efficiency and savings with clean energy.

[Get Price](#)



Photovoltaic Inverter Filling Glue: Key Material for Solar Energy



This specialized adhesive ensures protection against moisture, thermal stress, and mechanical vibrations. Without it, even the most advanced inverters would struggle to maintain performance in ...

[Get Price](#)

Solar Energy - SEIA

Solar power is energy from the sun that is converted into thermal or electrical energy. Solar energy is the cleanest and most abundant renewable energy source available, and the U.S. has some of the

...



IP65/IP55 OUTDOOR CABINET

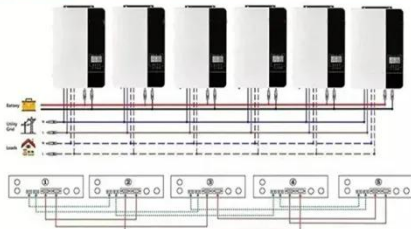
ALUMINUM

OUTDOOR ENERGY STORAGE CABINET

OUTDOOR MODULE CABINET

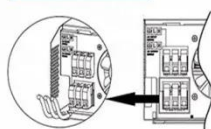
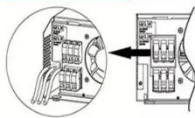
[Get Price](#)

Parallel (Parallel operation up to 6 unit (only with battery connected))



AC input wires

AC output wires



Encapsulation Epoxy for Photovoltaics and OLEDs

Light-curable epoxy suitable for solar cell and LED encapsulation. Sets at wavelengths of up to 350 nm and is safe for use with most organic materials.

[Get Price](#)

Encapsulation Epoxy for Photovoltaics and OLEDs

If you're working with photovoltaic (PV) inverters, you know that protection against environmental stress is crucial.

Coating glue plays a vital role in safeguarding these critical components. But how exactly ...

[Get Price](#)



Unveiling the Glue Filling Process of G7 Micro Inverter

In this video, we will take you on a glimpse of the entire process of gluing inside the G7 micro inverter. As a representative of high-efficiency solar in more

[Get Price](#)

How to Use Coating Glue for Photovoltaic Inverters A Practical Guide

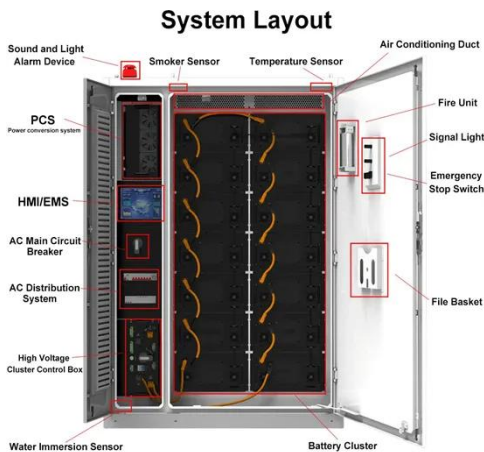
If you're working with photovoltaic (PV) inverters, you know that protection against environmental stress is crucial. Coating glue plays a vital role in safeguarding these critical components. But how exactly ...

[Get Price](#)



Solar Energy

There are two main types of solar energy technologies--photovoltaics (PV) and



concentrating solar-thermal power (CSP). On this page you'll find resources to learn what solar ...

[Get Price](#)

Photovoltaic Micro Inverter Glue Filling Process: Optimizing

The photovoltaic micro inverter glue filling process isn't just about sticking components together; it's the frontline defense against moisture, thermal stress, and mechanical vibration.

[Get Price](#)



Contact Us

For catalog requests, pricing, or partnerships, please visit:
<https://www.cannabiswow.es>

