

Solar energy storage cabinet system capacity construction cost



Overview

The price range for an outdoor energy storage cabinet typically lies between \$3,000 and \$15,000, depending on various factors, such as **1. additional features, and **5. solar photovoltaic (PV) systems to develop cost benchmarks. These benchmarks help measure progress toward goals for reducing solar electricity costs. In this article, we break down typical commercial energy storage price ranges for different system sizes and then walk through the key cost drivers behind those numbers—battery chemistry, economies of scale, storage duration, location, and system integration. This work has grown to include cost models for solar-plus-storage systems. Discover how material choices, system design, and emerging technologies impact your energy. This report is available at no cost from the National Renewable Energy Laboratory (NREL) at www.nrel.gov. Ramasamy Vignesh, David Feldman, Jal Desai, and Robert Margolis. Whether you're planning a solar integration project or upgrading EV infrastructure, understanding.

Solar energy storage cabinet system capacity construction cost



Energy Storage Cabinet Construction Cost: Key Factors and Budget

Summary: This article breaks down the critical factors affecting energy storage cabinet construction costs, compares budget ranges for different project scales, and shares practical cost-saving strategies.

[Get Price](#)

Solar Photovoltaic System Cost Benchmarks

The U.S. Department of Energy's solar office and its national laboratory partners analyze cost data for U.S. solar photovoltaic systems to develop cost benchmarks to measure progress towards goals and ...



[Get Price](#)



Construction and installation costs of energy storage cabinets

The cost of a commercial energy storage cabinet can vary significantly based on several factors, including capacity, technology type, installation requirements, and

[Get Price](#)

The Real Cost of Commercial Battery Energy Storage in 2026: What ...

Key factors influencing the cost include battery chemistry, system capacity, discharge duration, installation complexity, certifications, and location. Larger systems benefit from economies

...

[Get Price](#)



Energy Storage Cabinet Cost Analysis: What You Need to Know in 2025

Whether you're a factory manager trying to shave peak demand charges or a solar farm operator staring at curtailment losses, understanding storage costs is like knowing the secret recipe ...

[Get Price](#)

Solar Installed System Cost Analysis , Solar Market Research

U.S. Solar Photovoltaic System and Energy Storage Cost Benchmarks, With Minimum Sustainable Price Analysis: Q1 2022, NLR Technical Report (2022) Floating Photovoltaic System ...

[Get Price](#)





How Much Does Commercial Energy Storage Cost?

In this article, we break down typical commercial energy storage price ranges for different system sizes and then walk through the key cost drivers behind those numbers--battery chemistry, ...

[Get Price](#)

New Energy Storage Charging Cabinet Price List: 2024 Cost Guide

Wondering how much a modern energy storage charging cabinet costs? This comprehensive guide breaks down pricing factors, industry benchmarks, and emerging trends for commercial and industrial ...



[Get Price](#)



How much does an outdoor energy storage cabinet cost?

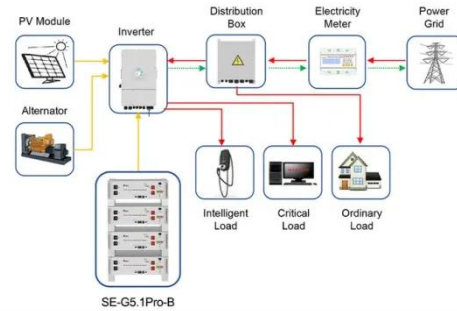
The primary determinant of an energy storage cabinet's cost is its storage capacity. As cabinets become more robust and provide advanced energy storage capabilities, prices can escalate ...

[Get Price](#)

U.S. Solar Photovoltaic System and Energy Storage Cost

In previous benchmarking reports, across all sectors, storage system costs were represented in nameplate capacity but this year only the residential storage system cost is represented in ...

[Get Price](#)



Application scenarios of energy storage battery products

Contact Us

For catalog requests, pricing, or partnerships, please visit:
<https://www.cannabiswow.es>

