

Overview

In the Democratic Republic of the Congo (DRC), several pioneering renewable energy storage initiatives stand out as exemplars of innovation, including Project 1: Inga Dam Complex, recognized for its significant hydroelectric capacity, Project 2: Solar Power Storage. In the Democratic Republic of the Congo (DRC), several pioneering renewable energy storage initiatives stand out as exemplars of innovation, including Project 1: Inga Dam Complex, recognized for its significant hydroelectric capacity, Project 2: Solar Power Storage. In the Democratic Republic of the Congo (DRC), several pioneering renewable energy storage initiatives stand out as exemplars of innovation, including Project 1: Inga Dam Complex, recognized for its significant hydroelectric capacity, Project 2: Solar Power Storage Systems, which harnesses sunlight. This note was developed by GOGLA with the support of the World Bank Group technical team and Lighting Global Program, the Energy Sector Management Assistance Program (ESMAP), the Shell Foundation, USAID, Power Africa, The Foreign, Commonwealth & Development Office (FCDO), Sustainable Energy for. The Democratic Republic of Congo (DRC) is endowed with abundant natural resources, including significant solar energy potential. As the world shifts towards renewable energy sources, the DRC is positioning itself to harness solar power through utility-scale solar projects. This article provides an. ical installations are becoming more prevalent. The approach is not new: EESS in the form of battery-backed uninterruptible power supplies (UPS) have been used for many years. energy supply in 2021 Renewable energy supply of. Butler shares analysis, perspectives and story sum user of cobalt, accounting for over 70% of global out States and Europe in exchange for s annually, making it the world"s second-largest p the company"s mission and operati . What are the leading renewable energy storage projects in Congo?

1. In the Democratic Republic of the Congo (DRC), several pioneering renewable energy storage initiatives stand out as exemplars of innovation, including Project 1: Inga Dam Complex, recognized for its significant hydroelectric.

Solar energy storage application in the Democratic Republic of Congo



What are the leading renewable energy storage projects in Congo?

As solar technology becomes increasingly accessible, numerous projects dot the Congolese landscape, bringing sunlight-driven energy to various communities. Solar Power Storage ...

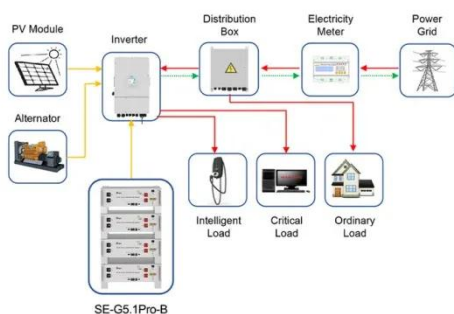
[Get Price](#)

Renewable energy storage democratic republic of the congo

Barrick Mining has commissioned a solar-storage plant at its Kibali mine in Democratic Republic of Congo, bringing the supply of renewable energy to 85% at what the Toronto-listed firm calls



[Get Price](#)



Application scenarios of energy storage battery products

Congo Republic electrical energy storage system

PDF , On , Divine Khan Ngwashi and others published Optimal design and sizing of a multi-microgrids system: Case study of Goma in The Democratic Republic of the Congo , ...

[Get Price](#)

Utility-Scale Solar Projects in Democratic Republic of Congo

The Democratic Republic of Congo (DRC) is endowed with abundant natural resources, including significant solar energy potential. As the world shifts towards renewable energy sources, ...



[Get Price](#)



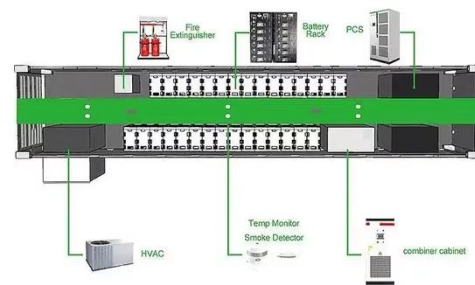
Democratic Congo Portable Energy Storage Power Solutions: ...

The Democratic Republic of Congo (DRC) faces a critical energy challenge: only 20% of its population has access to reliable electricity. Portable energy storage systems are no longer a luxury - they're a ...

[Get Price](#)

CONGO SOLAR ENERGY STORAGE

According to Mark Bristow, president and chief executive of Canadian mining company Barrick Gold Corporation, after the commissioning of a 16MW solar PV plant coupled with battery energy storage



[Get Price](#)

Solar energy storage application in the Democratic

Republic of ...

In the Democratic Republic of the Congo (DRC), several pioneering renewable energy storage initiatives stand out as exemplars of innovation, including Project 1: Inga Dam Complex, recognized for its ...

[Get Price](#)



Democratic Republic of Congo Energy Storage solar

In the quest to tackle energy challenges in the Democratic Republic of Congo (DRC), JNTech is spearheading the adoption of hybrid solar-diesel microgrid systems.

[Get Price](#)



Democratic Republic of Congo

Despite these challenges, there is promising market potential for off-grid solar in the DRC.

[Get Price](#)



Contact Us

For catalog requests, pricing, or partnerships, please visit:
<https://www.cannabiswow.es>

