

Solar System Cycle



Solar System Cycle



Solar cycle: What is it and why does it matter? , Space

The solar cycle describes an 11-year period of solar activity driven by the sun's magnetic field and indicated by the number of sunspots visible on the surface.

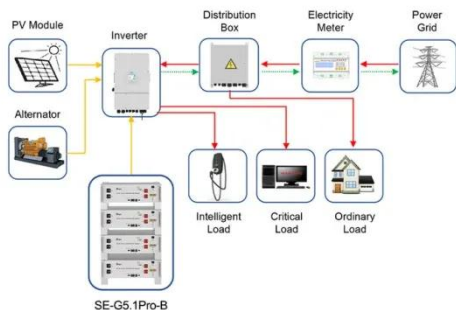
[Get Price](#)

14.1.3: The Solar Cycle

The Sunspot Cycle Between 1826 and 1850, Heinrich Schwabe, a German pharmacist and amateur astronomer, kept daily records of the number of sunspots. What he was really looking for was a ...



[Get Price](#)



Application scenarios of energy storage battery products

Understanding Solar Cycle

Introduction to Solar Cycle The solar cycle, also known as the Schwabe cycle, is a periodic change in the Sun's activity, marked by variations in the number of sunspots, solar flares, and ...

[Get Price](#)

Solar Cycle Progression and

Forecast

Each month the solar prediction is updated using historical and the latest month's observed solar indices to provide estimates for the balance of the current solar cycle and the next.

[Get Price](#)



Solar Cycle Progression , NOAA / NWS Space Weather Prediction ...

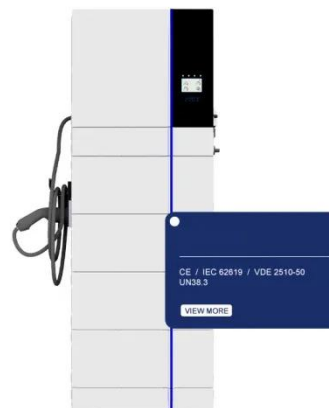
The solar cycle prediction shown here is based fitting the observed data to a nonlinear function that reflects the average shape of solar cycles and that takes into account the observed ...

[Get Price](#)

Explainer: What is the solar cycle?

One of Solar Orbiter's first discoveries was a phenomenon similar to solar flares called campfires. The sun is now in its 25th solar cycle since astronomers started gathering accurate ...

[Get Price](#)



Solar Cycle - Definition & Detailed Explanation - Astrophysics ...



I. What is a Solar Cycle? The solar cycle is a natural phenomenon that occurs on the Sun, where its magnetic field undergoes a periodic change in activity. This cycle is characterized by ...

[Get Price](#)

Solar cycle , Definition, Length, & Facts , Britannica

Solar cycle, period of about 11 years in which fluctuations in the ...

[Get Price](#)



Solar cycle , Definition, Length, & Facts , Britannica

Solar cycle, period of about 11 years in which fluctuations in the number and size of sunspots and solar prominences are repeated. Solar cycle 25 began in 2019 and will reach ...

[Get Price](#)

Contact Us

For catalog requests, pricing, or partnerships, please visit:
<https://www.cannabismow.es>

