

# Smart Photovoltaic Energy Storage Container 40kWh Discount



## Overview

---

Introducing our Stackable LiFePO<sub>4</sub> Battery Rack, designed for seamless energy storage expansion from 5KWh to 40KWh. Built with Grade A+ LiFePO<sub>4</sub> cells and an intelligent BMS, this modular system ensures safety, longevity, and peak performance for off-grid solar setups. The H10GP-M-30K40 delivers 30kW of solar generation and 40kWh of storage, housed in a 10ft mobile foldable container. Using high-efficiency 480W panels, it's engineered for mid-size off-grid needs like mobile hospitals, telecom bases, and border outposts. As a professional manufacturer in China, produces both. LZY offers large, compact, transportable, and rapidly deployable solar storage containers for reliable energy anywhere. LZY mobile solar systems integrate foldable, high-efficiency panels into standard shipping containers to generate electricity through rapid deployment generating 20-200 kWp solar. ☑☑- Eco-Friendly: Zero emissions, annual CO<sub>2</sub> reduction up to 20 tons (40kWh model).

## Smart Photovoltaic Energy Storage Container 40kWh Discount

---



### 10KWh/ 20KWh/ 30KWh/40KWh Indoor Photovoltaic Energy Cabinet

By integrating photovoltaic power generation, energy storage, and intelligent management systems, it achieves a stable supply and efficient use of clean electricity, helping to reduce energy costs and ...

[Get Price](#)

---

### Solar Container , Large Mobile Solar Power Systems

Discover our range of innovative solar panels on shipping container products engineered to meet your renewable energy needs with maximum efficiency and reliability.

[Get Price](#)

---



### Energy Storage Cabinet, energy storage system, New Energy ...

Huijue Group's Mobile Solar Container offers a compact, transportable solar power system with integrated panels, battery storage, and smart management, providing reliable clean energy for off ...



[Get Price](#)

## Sol-Ark Solar Energy Storage , Greentech Renewables

Greentech Renewables sells Sol-Ark Solar Energy Storage and other solar equipment at the most competitive prices.

[Get Price](#) LFP 280Ah C&I

## 40KWh Mobile Foldable Solar Storage Container (10ft)

Highjoule offers foldable solar containers, hybrid energy storage systems, PV-diesel integrated cabinets, and mobile energy platforms. Power ranges span from 20KW to over 400KWh and are housed in ...

[Get Price](#)

## PAC hybrid off grid battery storage 40kwh all in one ...

PAC off grid battery storage 40kwh all in one lithium batteries for solar system, outdoor use, with 8kw split phase hybrid inverter, for home storage.

[Get Price](#)

## Highjoule Customized Energy Storage Solutions for a Sustainable ...



Highjoule offers foldable solar containers, hybrid energy storage systems, PV-diesel integrated cabinets, and mobile energy platforms. Power ranges span from 20KW to over 400KWh and are housed in ...

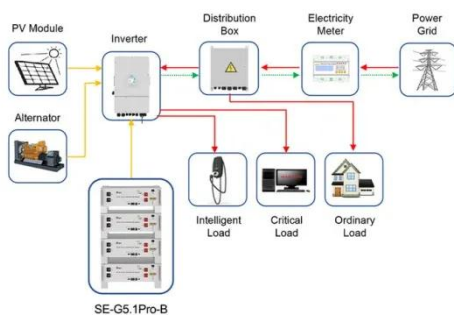
[Get Price](#)

## Modular Stackable LiFePO4 Battery Rack , 5-40KWH Expandable Energy

Introducing our Stackable LiFePO4 Battery Rack, designed for seamless energy storage expansion from 5KWh to 40KWh. Built with Grade A+ LiFePO4 cells and an intelligent BMS, this modular system ...



[Get Price](#)



Application scenarios of energy storage battery products

## 40 kWh Solar Battery

We have solar battery packs available that provide power storage from 1kWh to more than 100 kWh. Learn the price of 40kWh backup battery power storage for the lowest cost 40kWh batteries.

[Get Price](#)

## 20KW Solar Energy Storage On the Container of the 40KWH Battery PV

It is a complete solar setup that comes with highly efficient solar panels.off-grid solar inverter, lithium ion battery or gel battery and other standard solar accessories.This solar system will not only provides ...

[Get Price](#)



---

## Contact Us

For catalog requests, pricing, or partnerships, please visit:  
<https://www.cannabiswow.es>

