

Small communication base station inverter tracking



Overview

Compared with the buck topology, the new topology can track load current better, thus the power provided by linear amplifier is reduced and overall efficiency of the system is improved. Our integrated circuits and reference designs help you create small cell base stations that enable multiband operation, higher bandwidth and better system reliability. Our analog front-end devices use a new RF sampling architecture, while our companion power and clocking technologies allow you to. A small cell is a cellular base station that transmits and receives defined RF signals with low power in a compact solution. Communication methods Micro inverters can be connected to the wireless router through the built-in Wi-Fi module, string inverters and energy storage. In communication base stations, since they usually rely on DC power, such as batteries or solar panels, while most communication equipment and other electronic equipment require AC power to operate properly, inverters are almost a necessity.

Small communication base station inverter tracking



Communication Base Station Inverter Application

How to ensure the compatibility between the inverter and other systems of the communication base station? The key to ensuring compatibility is to consider when selecting an ...

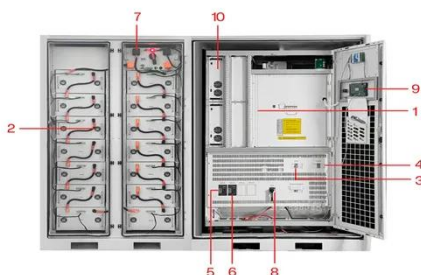
[Get Price](#)

Envelope Tracking Power Supply for Energy Saving of Mobile

The power consumption of the RF PA in wireless communication base stations are too large and the efficiency of RF PA is too low. In this paper, a new hybrid ET power supply with a multi ...



[Get Price](#)



- 1 PCS Module
- 2 Battery room
- 3 Grid side circuit breaker
- 4 Load side circuit breaker
- 5 OPV1 side circuit breaker
- 6 OPV2 side circuit breaker
- 7 High Volt Box
- 8 BAT side circuit breaker
- 9 LCD display screen
- 10 MPPT

Hybrid Inverter Selection for BTS Shelters: Specs That Matter

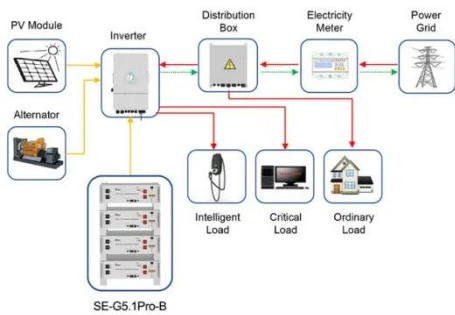
Discover essential specifications for selecting hybrid inverters for BTS shelters and telecom towers. Learn how to ensure reliable, efficient, and scalable power solutions for remote base ...

[Get Price](#)

Inverter communication mode and application scenario

Serial inverters and energy storage inverters can be equipped with a data collector with a LAN port. The LAN port collector is connected to network devices such as routers through network cables to realize ...

[Get Price](#)



Application scenarios of energy storage battery products

Small Cell Solutions & Applications , Cellular Base Station Products

At Tessco, we have the solutions and expertise to support, simplify, and streamline small cell deployments and to help you deliver a reliable indoor or outdoor network that provides seamless ...

[Get Price](#)

Small cell base station design resources , TI

Our integrated circuits and reference designs help you create small cell base stations that enable multiband operation, higher bandwidth and better system reliability.

[Get Price](#)



Communication base station inverter grid-connected work transfer



· This paper presents a new tuning technique for the PI controller of the grid-tie dc-ac inverter in grid-connected PV systems, supporting an EV charging station with ac L2 ports.

[Get Price](#)

COMMUNICATION BASE STATION INVERTER APPLICATION

Our certified energy specialists provide round-the-clock monitoring and support for all installed home energy storage systems. From the initial consultation to ongoing maintenance, we ensure that your ...

[Get Price](#)



COMMUNICATION BASE STATION ENERGY STORAGE

In today's world of mobile communication, the Base Station Controller (BSC) plays a key role in ensuring your phone calls and data transfer happen smoothly. The BSC is a vital part of the network ...

[Get Price](#)

Small communication base station inverter tracking

A small cell is a cellular base station that transmits and receives defined RF signals with low power in a compact solution. Ideal for densely populated environments like venues, residential

[Get Price](#)



Contact Us

For catalog requests, pricing, or partnerships, please visit:
<https://www.cannabiswow.es>

