

Shopping malls use IP54 outdoor cabinets for ultra-high efficiency and service quality



Shopping malls use IP54 outdoor cabinets for ultra-high efficiency a



IP54 Enclosure, Custom Any IP Rating NEMA Enclosure and Cabinet

KDM manufactured IP54 enclosure to provide top-quality, easily customized cabinets that will perform well in your application. At KDM, our range of IP54 enclosures features a variety of different materials ...

[Get Price](#)

Outdoor Electrical Cabinet Buyer's Guide: Weatherproof, NEMA-Rated

Planning to buy an outdoor electrical cabinet? This in-depth guide explains enclosure ratings, NEMA standards, weatherproof design, cable protection, and durability factors.

[Get Price](#)



200KWh Outdoor Cabinets

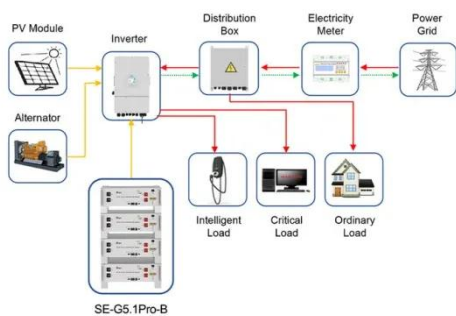
Our 200KWh Outdoor Cabinets energy storage system is built with IP54 protection, ensuring it can withstand harsh weather, from scorching sun to torrential rain.

[Get Price](#)

What is IP54? A Complete Guide to Electrical Enclosure Protection

Together, IP54 enclosures ensure that internal components are safe from limited dust ingress and accidental splashing water, making them ideal for many industrial and commercial applications.

[Get Price](#)



Application scenarios of energy storage battery products

Guide to IP54 Enclosures: Protection Levels & Standards

Discover IP54 enclosures for dustproof and splashproof protection. Ideal for industrial, telecom, automotive, and medical applications.

[Get Price](#)

IP54 Enclosures

Our IP54 enclosures have a high level of protection against particles, and a fair amount of protection against water. All of our enclosures rigorously comply with the guidelines, so you can count on ...

[Get Price](#)



Energy Efficiency in Shopping Malls: Smart Building Management for



Smart Building Management Systems (SBMS) serve as critical components in enhancing energy efficiency for shopping malls. These advanced systems integrate various technologies to ...

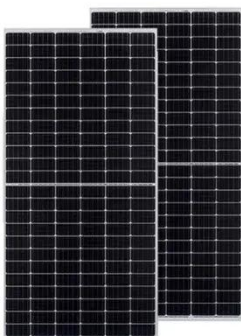
[Get Price](#)

IP54 Electrical Enclosures

Our rigorous approach to manufacturing quality and efficiency, coupled with creative and innovative designs for custom applications, ensures that your IP54 electrical enclosure or cabinet will meet or ...



[Get Price](#)



A GUIDE TO INGRESS PROTECTION RATINGS FOR ...

Equipment that has been designed hardened for outdoor use will perform well in an enclosure rated to IP54. It will give a good level of protection from airborne dust and splashing rain.

[Get Price](#)

Contact Us

For catalog requests, pricing, or partnerships, please visit:
<https://www.cannabiswow.es>

