

# Scooter battery selection chart



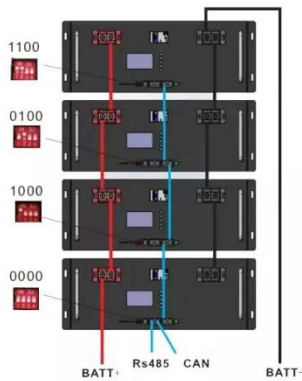
## Overview

---

This comprehensive guide provides helpful information to consider when selecting a battery for an electric scooter. Check out our Battery Selection Chart to identify and cross reference which scooter battery replacement that you need. We carry top of the line Universal Parts brand batteries along with premium Shorai lithium batteries. Understanding battery capacity, voltage, and performance correlation. Poor battery selection or maintenance is one of the leading causes of mobility scooter breakdowns. Sealed Lead Acid (SLA) Batteries Gel Batteries Lithium Mobility Scooter Batteries Key Factors. At Madd Gear, we understand that the electric scooter battery specifications aren't just technical details-they're the very heart of your ride, determining its range, reliability, and performance.

## Scooter battery selection chart

---



### Mobility Scooter Batteries: Buying, Performance & Longevity Guide

Choosing the right battery--and knowing how to care for it--can dramatically improve reliability, range, and overall riding comfort. Poor battery selection or maintenance is one of the leading causes of ...

[Get Price](#)

### How to Choose the Right Battery for Your Electric Scooter

This comprehensive guide provides helpful information to consider when selecting a battery for an electric scooter. Various factors must be taken into account when determining the best ...



[Get Price](#)

### A Complete Guide to Electric Scooter Battery Specifications Types

Follow this professional guide to ensure you select the optimal battery for a electric scooter, taking into account correct electric scooter battery specifications.

[Get Price](#)

---

## Electric Scooter Battery Selection Guide: Types and Tips

Choose the right electric scooter battery with our selection guide. Learn about lead-acid, NiMH, and lithium batteries for optimal performance.

[Get Price](#)

## Scooter Batteries Guide

Typically, electric scooter batteries fall into one of these six buckets: 36V, 48V, 52V, 60V, 72V, or 84V. In general, the higher the voltage, the more energy that's stored and the greater the ...


[Get Price](#)

---

## Electric Scooter Batteries: A Beginner's Guide

Learn about the different types of electric scooter batteries and discover which is best.

[Get Price](#)



- LiFePO<sub>4</sub> Battery, safety
- Wide temperature: -20~55°C
- Modular design, easy to expand
- Wall-Mounted&Floor-Mounted
- Intelligent BMS
- Cycle Life: > 6000
- Warranty: 10 years



## A Technical Guide to Electric Scooter Batteries

Here is a short list below: Each of these battery chemistries represents a trade-off between safety. Fortunately, many quality electric scooters are using the INR battery chemistry -- one of the safest ...

[Get Price](#)

## Battery Selection Chart - Scooterworks USA, LLC

Check out our Battery Selection Chart to identify and cross reference which scooter battery replacement that you need.

[Get Price](#)



## Battery Selection Chart

Check out our Battery Selection Chart to identify and cross reference which scooter battery replacement that you



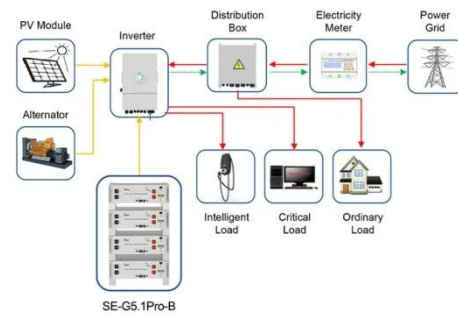
need. We carry top of the line Universal Parts brand batteries along with premium Shorai ...

[Get Price](#)

## Battery Selection Chart , GoKartsUSA - GoKarts USA®

Check out our Battery Selection Chart to identify and cross reference which scooter battery replacement that you need. We carry top of the line batteries in Factory Activated and Maintenance Free options.

[Get Price](#)



Application scenarios of energy storage battery products

## Contact Us

For catalog requests, pricing, or partnerships, please visit:  
<https://www.cannabiswow.es>

