

Rust removal on photovoltaic panel surface



Overview

Surface rust can often be treated with rust removers or protective paints. Thoroughly cleaning the affected area and applying rust-inhibiting agents can restore the panel's integrity. Using specialized solutions designed for solar panels ensures that the function of the panel is not. If solar photovoltaic panels are rusted, 1. inspect for underlying issues, 3. Addressing the problem involves. Simple Solar Rust Removal: I have a small solar panel gathering dust, so I decided to clean some tools. Use a mild detergent mixed with water to gently scrub the rusty surface.

Rust removal on photovoltaic panel surface



Removing rust from photovoltaic panels

Chemitek Solar has launched its new Metal Oxides Removal Agent, a cleaning product designed to efficiently and safely remove metal oxides (e.g. rust) from solar PV modules and tiles.

[Get Price](#)

Rust removal of coastal photovoltaic brackets

This study shows that the hard-to-remove rust layer on the guide sleeve surface of a used cylinder can be removed using a specially developed, environmentally friendly formula for cleaning rust.



[Get Price](#)



How to Protect solar panel from rust?

The phenomenon of solar panel rust is one of the major concerns when considering the maintenance of solar panels. Rust can greatly impact the efficiency and life span of panels. In this ...

[Get Price](#)

What to do if there is rust on the photovoltaic panel

What to do if there is rust on the photovoltaic panel How do you repair a rusty solar panel? The first step in repairing solar panel rust is to clean the affected area. Use a mild detergent mixed with water to ...

[Get Price](#)



How to remove rust and clean solar energy , NenPower

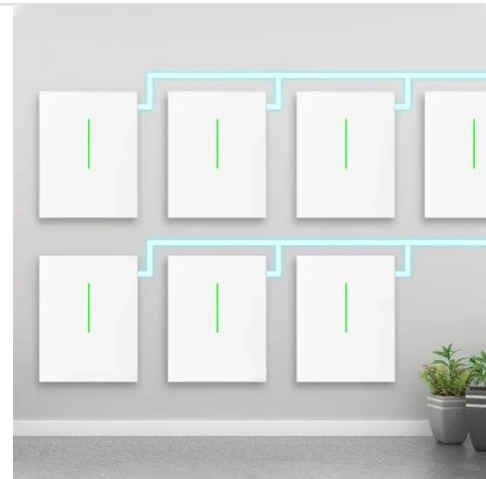
Effective strategies include the application of rust-resistant coatings on metal components, choosing corrosion-resistant materials during installation, and ensuring proper drainage around the ...

[Get Price](#)

Simple Solar Rust Removal : 3 Steps

People think of corrosion as rust on cars or oxidation that blackens silver, but it also harms critical electronics and connections in solar panels, lowering the amount of electricity produced.

[Get Price](#)



Solar photovoltaic panel rust removal

The Cement Removal Agent (CRA) from ChemiTek is a powerful and effective

solution that can help you clean your solar panels and restore their performance. This product is specifically designed to remove ...



[Get Price](#)

Rust removal on photovoltaic panel surface

People think of corrosion as rust on cars or oxidation that blackens silver, but it also harms critical electronics and connections in solar panels, lowering the amount of electricity produced.

[Get Price](#)



Simple Solar Rust Removal : 3 Steps

Simple Solar Rust Removal: I have a small solar panel gathering dust, so I decided to clean some tools. Read up on electrolysis, so here it is. The driver bits on the left are what I started with, and the ones ...

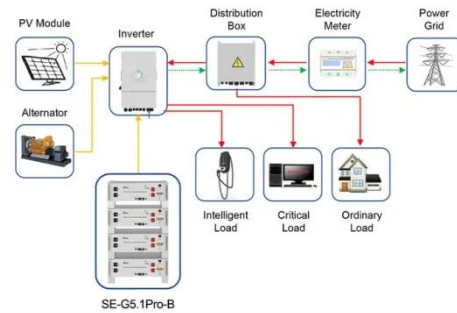
[Get Price](#)

Is it useful to remove rust and paint photovoltaic panels

What can solar energy use to remove rust? 1. Solar energy can be harnessed

for rust removal through techniques such as electrolysis, solar-powered pressure washers, and

[Get Price](#)



Application scenarios of energy storage battery products



What to do if solar photovoltaic panels are rusted , NenPower

HOW CAN I REMOVE RUST FROM MY SOLAR PANELS? To effectively remove rust from solar panels, first, assess the extent of the damage. If the rust is superficial, using a soft brush ...

[Get Price](#)

Contact Us

For catalog requests, pricing, or partnerships, please visit:
<https://www.cannabismow.es>

