

Rooftop solar photovoltaic power generation appearance



Overview

They perform better in low-light conditions and have a sleek, uniform appearance. While more expensive upfront, their superior efficiency makes them ideal for homes with limited roof space. The design of your solar energy rooftop system contributes to your house's overall aesthetic and has implications for function, maintenance, and ease. Solar Rooftop Design: What Does That Mean?

The process of designing and planning the positioning of solar panels on a rooftop is called solar. A rooftop solar power system, or rooftop PV system, is a photovoltaic (PV) system that has its electricity -generating solar panels mounted on the rooftop of a residential or commercial building or structure. Rooftop solar systems rely on the photovoltaic effect, where cells generate electricity in response to sunlight.

Rooftop solar photovoltaic power generation appearance



The Complete Guide to Rooftop Solar Power in 2025

This comprehensive guide will walk you through everything you need to know about rooftop solar power, from understanding the technology to calculating your potential savings and ...

[Get Price](#)

Rooftop solar power

Rooftop PV systems on residential buildings typically feature a capacity of about 5-20 kilowatts (kW), while those mounted on commercial buildings often reach 100 kilowatts to 1 megawatt (MW). Very ...



[Get Price](#)



How Rooftop Solar Panels Work: A Beginner's Guide

Rooftop solar panels work by converting sunlight into electricity using advanced technology. This beginner's guide explains the types of rooftop solar panels, how they generate ...

[Get Price](#)

Design strategies for building

rooftop photovoltaic systems: Efficiency

In response to global environmental concerns and rising energy demands, this study evaluates photovoltaic (PV) technologies for designing efficient building rooftop PV systems and ...

[Get Price](#)



Evaluating Rooftop Solar Panel Power Generation

In this article, we will assess the power generation capacity of rooftop solar panels. We will explore essential aspects such as efficiency, configuration, and geographic influence. Furthermore, we will ...

[Get Price](#)

What is the principle of rooftop solar photovoltaic power generation

Solar cells consist of two layers of silicon, typically doped with different impurities to create a p-n junction. The upper layer, generally referred to as the p-type layer, has a surplus of ...

[Get Price](#)



Rooftop solar power

Overview Installation Finances Solar shingles Hybrid systems Advantages Disad

advantages Technical challenges



A rooftop solar power system, or rooftop PV system, is a photovoltaic (PV) system that has its electricity-generating solar panels mounted on the rooftop of a residential or commercial building or structure. The various components of such a system include photovoltaic modules, mounting systems, cables, solar inverters battery storage systems, charge controllers, monitoring systems, racking and mounting systems, en...

[Get Price](#)

Perfect Guide For Rooftop Solar PV Systems

Solar panels are often laminated and protected by tempered glass and frames to protect them from any damage which can affect the performance of electricity generation. 2] Inverters: ...



[Get Price](#)



Solar Rooftop Design: The Ultimate Guide [2025]

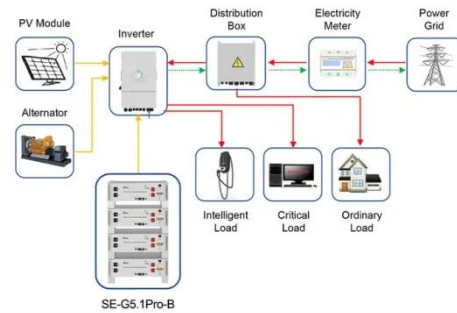
Making the switch to solar rooftop? Learn how to choose the right system for your home with our expert guide on solar rooftop design. Get started today!

[Get Price](#)

Rooftop Photovoltaic Power Stations

Rooftop photovoltaic power stations offer a clean, reliable, and cost-effective energy source for both residential and commercial applications. With decreasing costs, improving ...

[Get Price](#)



Application scenarios of energy storage battery products



Rooftop Solar PV Systems: Definition, and Different Types

Rooftop solar systems rely on the photovoltaic effect, where cells generate electricity in response to sunlight. A rooftop solar system is an array of solar panels installed on a roof, each ...

[Get Price](#)

Contact Us

For catalog requests, pricing, or partnerships, please visit:
<https://www.cannabiswow.es>

