

# Pure sine wave inverter 72 to 220



## Pure sine wave inverter 72 to 220

---



### **72Vdc to 110/220Vac Series LCD pure sine wave inverter**

1. This inverter power supply adopts SPWM technology controlled by MCU micro-processing, pure sine wave output, and the waveform is indeed pure. The unique dynamic current loop control technology ...

[Get Price](#)

---

### **NGL Series 72 VDC Nominal Input Pure Sine Wave DC-AC Inverters**

These rugged inverters are extremely reliable, designed to provide many years of service in high shock, vibration, humidity, and EMI environments. Combining 3 inverters to form a 3 phase ...



[Get Price](#)

---

### **36V DC To AC Inverter 5500W-7500W Pure Sine Wave Inverter ...**

This FH1923 pure sine wave inverter motherboard is seriously versatile for all your high-power DC to AC conversion projects. Handling input voltages from 12V all the way up to 72V DC, this board outputs ...

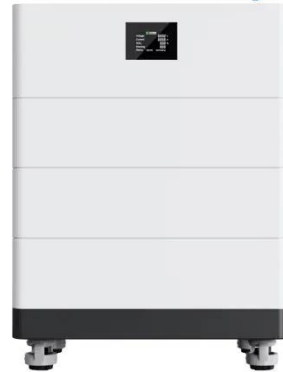


[Get Price](#)

## Best 220V Pure Sine Wave Inverters for Off-Grid Power and ...

When choosing a 220V inverter with pure sine wave output, reliability, efficiency, and protection features matter most. The following selections are designed for RVs, trucks, boats, and off ...

### High Voltage Solar Battery



[Get Price](#)



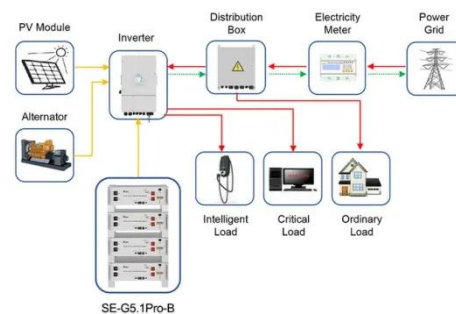
## Pure Sine Wave 6000W Power Inverter 60V/72/96/110V to 120/220...

Ture Pure Sine Wave waveform guranteed. Big and clear MCU LED Display for DC Volt and AC Volt output to monitor the actual working status. Most advanced technology in software and ...

[Get Price](#)

## Single Phase 72V to 220V DC to AC Power 1500W Pure Sine Wave ...

Single Phase 72V to 220V DC to AC Power 1500W Pure Sine Wave off Grid Inverter for Industrial Home RV Use



[Get Price](#)

Application scenarios of energy storage battery products

**Amazon : HAGNZHE 7000W**

## Pure Sine Wave Power Inverter

...



Specifications: Output waveform: pure sine wave Rated power: 3500w Peak power: 7000w Input DC voltage (DC): DC 12V/24V/48V/60V/72V AC output voltage: 220 V AC Frequency: 50Hz Product ...

[Get Price](#)

---

## 72V DC to 220VAC 1.5kw 4kw Pure Sine Wave ...

Model NO.: GW1500w-72-220  
Certification: CCC, ISO9001, ...

[Get Price](#)

---

## 72V input inverter, 360VA industrial grade pure sine wave with 72 ...

heavy industrial and water tight sine wave inverters, 72 VDC inputs, 110 VAC or 220 VAC output, 360VA continuous output

[Get Price](#)

---

## 5000W 15kw 24V 48V 60V 72V to 220V Pure Sine Wave UPS Low ...

Product Description Product Description  
Low Frequency 5000W 15000W Battery

Charger 24V 48V 60V 72V to 220V Pure Sine Wave UPS Inverter Power inverter converts 12V or 24V DC ...

[Get Price](#)



## 72V DC to 220VAC 1.5kw 4kw Pure Sine Wave Power Inverter

...

Model NO.: GW1500w-72-220  
Certification: CCC, ISO9001, RoHS, CE,  
SAA Output Power: >1000W Nature of  
Wave String: Sine Wave Inverter Type:  
DC/AC Inverters Trademark: GW

[Get Price](#)

## Contact Us

For catalog requests, pricing, or partnerships, please visit:  
<https://www.cannabiswow.es>

