

Pure sine wave 5000w inverter



Pure sine wave 5000w inverter



5,000-Watt Pure Sine Industrial Grade Inverter 12-Volt DC to 120-Volt ...

This 5000-Watt pure sine inverter with GFCI uses a D. S.P. (Digital Signal Processor) driver to safely generate a pure sine wave at a high quality 120-Volt AC output. The product responds to the high ...

[Get Price](#)

5000W Pure Sine Wave Inverter

Sort by: Best selling View Save 20%
 WZRELB 5000W Power Inverter
 12VDC,24VDC or 48VDC to 120VAC Pure
 Sine Wave Inverter RBP5000W \$677.00
 \$845.00 In stock, 6 units Save 20%

Lower cost
larger system

20kwh

30kwh



Verified Supplier



[Get Price](#)



5000W Power Inverter Pure Sine Wave 12V DC to 110V 120V AC

?PURE SINE WAVE POWER INVERTER?This Pure Sine Wave Power Inverter provides 5000 watt power and converts DC 12 volt to AC 120 volt, coming with 4 AC outlets and 2x2.4A USB ports.Ideal ...

[Get Price](#)

MWXNE 5000W Power Inverter Pure Sine Wave 12V to 110V 120V ...

MWXNE 5000W Power Inverter Pure Sine Wave 12V to 110V 120V Heavy Duty Inverter for Vehicles RV Truck Home Off-Grid Solar System. Wired and Wireless Remote Control.



[Get Price](#)



12V 5000 Watt Pure Sine Wave Inverter

Pure sinusoidal inverter provides a reliable and efficient solution for delivering high-quality AC power from DC sources, ensuring smooth operation of sensitive equipment and maintaining comfort and ...

[Get Price](#)

5000 Watt Pure Sine Power Inverter Kit - Industrial

This 5000 Watt pure sine inverter with GFCI uses a D.S.P. (Digital Signal Processor) driver to safely generate a pure sine wave at a high quality 120 VAC output. The product responds to the high and ...



[Get Price](#)

AIMS Power 5,000W Pure Sine

Inverter, 48V



This industrial grade AIMS Power PWRIG500048120S 5000W 48V Pure Sine Inverter uses a D.S.P. (Digital Signal Processor) driver to safely generate a pure sine wave at a high quality 120V AC ...

[Get Price](#)

Best 5000 Watt Pure Sine Wave Inverters for Reliable Power Conversion

Below is a comparative summary of top-rated inverters that deliver pure sine wave output providing stable and clean energy conversion from DC 12V or 24V to AC 110V/120V.



[Get Price](#)



VEVOR Pure Sine Wave Inverter, 5000 Watt, Power Inverter, DC 12V ...

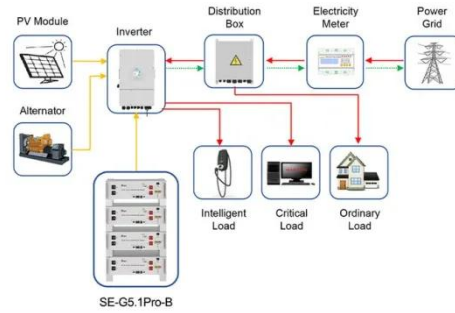
VEVOR Pure Sine Wave Inverter 5000W converts 12V DC to 120V AC with 4 AC outlets, USB port, LCD display, and remote control, perfect for RVs and camping.

[Get Price](#)

Amazon : 5000 Watt Pure Sine Wave Power Inverter

5000 Watt Pure Sine Wave Power Inverters, DC 12V to 110V Inverter with 0 AWG Battery Cables, Remote & LED Panel Control, 4 AC Outlets, 5V 3.1A USB, 20W Type-C, 10000 W Surge for RV, ...

[Get Price](#)



Application scenarios of energy storage battery products

Contact Us

For catalog requests, pricing, or partnerships, please visit:
<https://www.cannabiswow.es>

