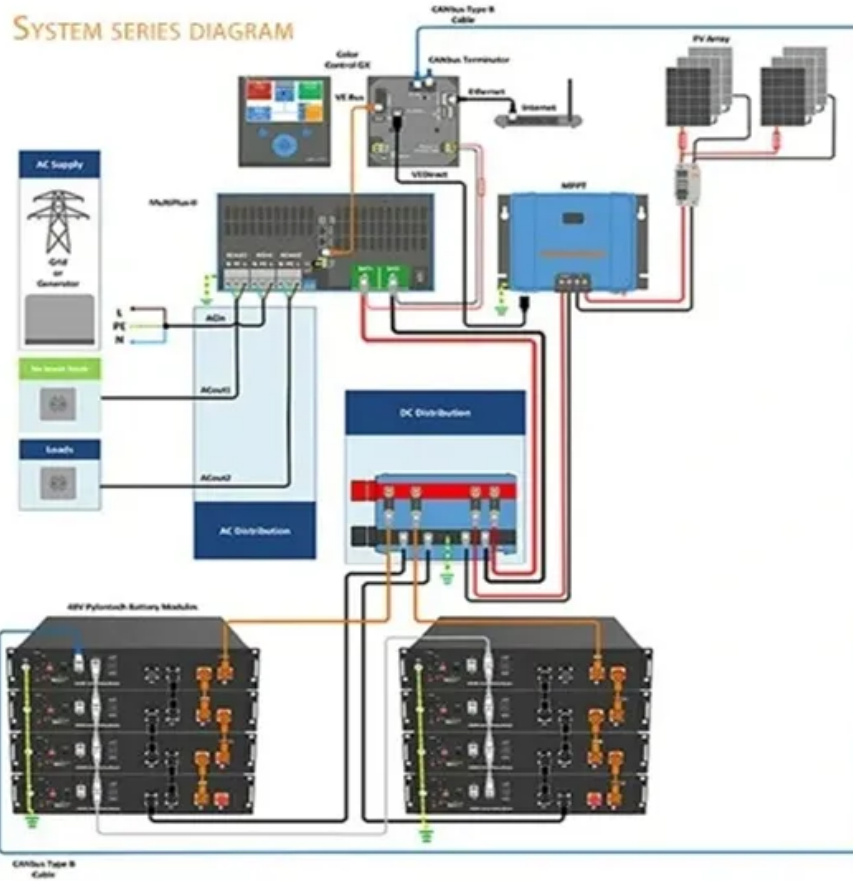


Photovoltaic panel accessories copper strip



Photovoltaic panel accessories copper strip



PV Ribbon , Solar Busbar , Tabbing Wire

Photovoltaic ribbon, also known as PV Ribbon or Solar Ribbon, is a hot-dipped tinned copper flat conductor that collects the current from the photovoltaic cells. It connects the individual solar cells ...

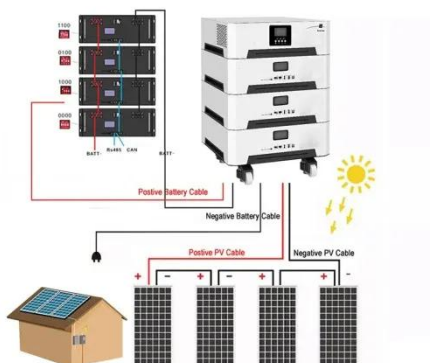
[Get Price](#)

Solar Cabling & Wire

Ensure your solar system runs efficiently and safely with high-quality solar wiring and cables. Our selection includes various AWG sizes, reel kits, and pre-cut wiring options, ensuring you get the right ...



[Get Price](#)



Amazon : Bateria Power Solar Panel Wire 50Ft Black and 50Ft ...

This solar panel wire has a UL94 V-0 flame retardant rating, which increases the feasibility of using the cable in severe weather such as rain, snow, and wind, and is suitable for outdoor solar panels, ...

[Get Price](#)

INTERCONNECT PV RIBBON, BUSBAR , NEOCAB-PV

It was developed to help our customers to improve their production yield and product performance. PV RIBBON is a hot dip solder coated copper conductor of flat shape used in photovoltaic solar panels.

[Get Price](#)



Pure Copper Tinned Solar PV Solder Tabbing Strip Bus ...

Heavy Duty Tinned Copper Tabbing Wire. Sick of thin tabbing ...

[Get Price](#)

CU9753 Solar Energy Copper Strip

Solar Energy Copper Strip is a pure copper strip designed for efficient current conduction in solar panels, delivering optimized electrical performance through its controlled composition.

[Get Price](#)



Photovoltaic Ribbon

PV bus bar is a strip of COPPER that conducts electricity within a module or string of cells. Photovoltaic Ribbon wire



is a fundamental part of all commercial solar panels. It connects solar cells and provides ...

[Get Price](#)

The effect of Photovoltaic Welding Strips on Solar Module

The high efficiency and durability of solar panels can only be achieved through high-quality photovoltaic welding strips properly installed in solar panels. High-quality photovoltaic welding ...



[Get Price](#)



All in one
50-500 Kwh
Hybird
System

Pure Copper Tinned Solar PV Solder Tabbing Strip Bus Bar Flat

Heavy Duty Tinned Copper Tabbing Wire. Sick of thin tabbing wire that crumples like hair in your hand?. Great alternative to nickel tabbing wire for 18650's, etc, when you want to solder ...

[Get Price](#)

PV Ribbon-Tier 1 tabbing wire & Busbar manufacturer from China

With 10 high-precision 4-link rolling mills and an annual production capacity of 10,000 tonnes, Raytron is the largest manufacturer of rolled copper strips & flat ribbon wires for Photovoltaic Solar Busbars in ...

[Get Price](#)



Solar Panel Copper Connectors, Low-smoke Halogen-free ...

Solar Panel Copper Connectors, Low-smoke Halogen-free Photovoltaic Wire Extension Strips, 4mm and 6mm Halogen-free Wire Adapters

[Get Price](#)

Contact Us

For catalog requests, pricing, or partnerships, please visit:
<https://www.cannabiswow.es>

