

# Photovoltaic panel 680 watt parameter table



## Overview

---

Operating temperature (°C) Temp. Power The specifications and characteristics contained in. All versions of the solar module measure 2,172 mm × 1,303 mm × 35 mm and weigh in at 36 kg. The maximum system voltage is 1,500 V and the bifaciality reaches 95%. Standard Solar Panel Sizes And Wattages (100W. That's basically a 66×39 solar panel. But what is the wattage?

That is unfortunately. Learn about Vikram Solar's Paradea 655-680W 132-cell solar panel, engineered for maximum energy generation, superior efficiency, and long-lasting durability for utility-scale and commercial solar projects. We use better quality cells to ensure the continuous high-power operation of the component while increasing the size of the panel very little.

## Photovoltaic panel 680 watt parameter table

---



### **AE\_TME-132BDS\_680W-700W\_Ver24.1.1**

The specifications and characteristics contained in this datasheet may deviate slightly from our actual products due to the product developments and uncertainty of measurement devices. The ...

[Get Price](#)

### **Datasheet PV680-700HJT**

680-700 Watt 210 mm 132 Cells Bifacial PV Module

[Get Price](#)



### **Higon High Efficiency 680W 690W 700W 132cells Solar Module For**

Each solar PV cell string must be tested by EL machine to ensure every single solar cell is perfect. Each Solar Module must be tested by EL machine before lamination to ensure every solar cell string is ...

[Get Price](#)



## 680W photovoltaic panel specifications and dimensions

It focuses on maximum electricity generation and overall capacity rather than the quantity of panels. To calculate the required system size, multiply the number of panels by the output.

[Get Price](#)



## Akcome Optronics Science & Technology , iPower 680 ...

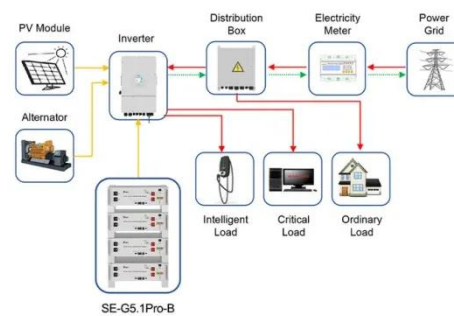
Detailed profile including pictures, certification details and manufacturer PDF.

[Get Price](#)

## Paradea 655-680W Solar Panel , High-Power 132-Cell Module

Learn about Vikram Solar's Paradea 655-680W 132-cell solar panel, engineered for maximum energy generation, superior efficiency, and long-lasting durability for utility-scale and commercial solar projects.

[Get Price](#)



Application scenarios of energy storage battery products

## SOLAR PANEL DATASHEETS

Standard 60 Cells Monocrystalline PV Module High efficiency solar cell High conversion efficiency and more power



output per square meter. Excellent weak light performance More power output in weak ...

[Get Price](#)

---

## Solar Panel Datasheet Specifications Explained

The article covers the key specifications of solar panels, including power output, efficiency, voltage, current, and temperature coefficient, as presented in solar panel datasheets, and explains how these ...



[Get Price](#)



## China 680W Solar Panel Manufacturers Suppliers Factory

We're well-known as one of the leading 680w solar panel manufacturers and suppliers in China. Please feel free to buy or wholesale high quality 680w solar panel in stock here from our factory.

[Get Price](#)

---

## Photovoltaic panel component parameter table

A solar panel spec sheet provides valuable information about the operating parameters of a panel and can help designers, engineers, and installers determine how to configure a solar PV system.

[Get Price](#)



---

## Contact Us

---

For catalog requests, pricing, or partnerships, please visit:  
<https://www.cannabiswow.es>

