

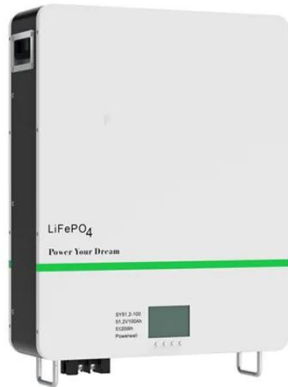
Off-grid type energy storage battery cabinet for Middle Eastern airports



Overview

The price of an energy storage container can vary significantly depending on several factors, including its capacity, technology, features, and market conditions. The Middle East And Africa Battery Energy Storage System Market size in 2026 is estimated at USD 2.39 billion with 2031 projections showing USD 6. Accelerated sovereign-fund spending, mandatory storage. Most industrial off-grid solar power systems, such as those used in the oil & gas patch and in traffic control systems, use a battery or multiple batteries that need a place to live, sheltered from the elements and kept dry and secure.

Off-grid type energy storage battery cabinet for Middle Eastern airp



MIDDLE EAST BATTERY ENERGY STORAGE SYSTEMS , ICEENG ...

Vanadium battery energy storage The vanadium redox battery (VRB), also known as the vanadium flow battery (VFB) or vanadium redox flow battery (VRFB), is a type of rechargeable which employs ions ...

[Get Price](#)

MEA Battery Energy Storage System Market

The Middle East and Africa Battery Energy Storage System Market is segmented by battery type, connection type, component, energy capacity, end-user, and geography.



[Get Price](#)



Battery Enclosures & Cabinets

Battery enclosure boxes also feature locking mechanisms that protect unauthorized people against possible electrical dangers if they happen to be tampering with your equipment. Our battery ...

[Get Price](#)

Off-grid pricing of energy storage containers for Middle Eastern ...

This report analyses the cost of utility-scale lithium-ion battery energy storage systems (BESS) within the Middle East utility-scale energy storage segment, providing a 10



[Get Price](#)



All-in-One Energy Storage Cabinet & BESS Cabinets , Modular, ...

AZE's All-in-One Energy Storage Cabinet & BESS Cabinets offer modular, scalable, and safe energy storage solutions. Featuring lithium-ion batteries, smart BMS, and thermal management, they're ideal ...

[Get Price](#)

Middle-East and Africa Battery Energy Storage Market- Size, Share

Strategic positioning of the Middle-East and Africa battery energy storage market reflects the region's commitment to energy diversification, grid modernization, and sustainable development.



[Get Price](#)



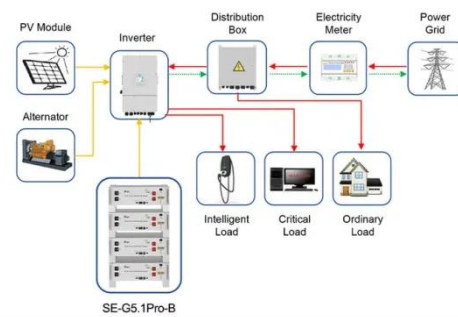
Cabinets and racks - KonkaEnergy

Designed for optimal performance, safety, and scalability, they ensure seamless integration with BESS systems. Power your business with reliability and innovation.

[Get Price](#)

Middle East and Africa outdoor battery energy storage integrated

The Middle East and Africa outdoor battery energy storage integrated cabinet market is driven by a combination of established multinational corporations and innovative local companies.



Application scenarios of energy storage battery products

[Get Price](#)



MOBILELL Solar Battery Backup , Off-Grid Backup Power Systems

By replacing diesel gensets, MOBILELL cabinets provide silent operation, lower lifecycle costs, and zero-harmful emissions -- while delivering the energy resilience required for mission-critical ...

[Get Price](#)

AZE BESS Cabinets

Our battery energy storage systems are perfect for energy shifting and peak lopping, making them an excellent choice for any renewable energy project. The cabinets are sized to enable mounting of all ...

[Get Price](#)



Contact Us

For catalog requests, pricing, or partnerships, please visit:
<https://www.cannabiswow.es>

