

New energy power station equipped with energy storage equipment



New energy power station equipped with energy storage equipment



New Energy Storage Power Stations: The Game-Changer in ...

That's essentially what a new energy storage power station (NESPS) is - but with way more muscle and smarts. These facilities store excess electricity generated from renewables like ...

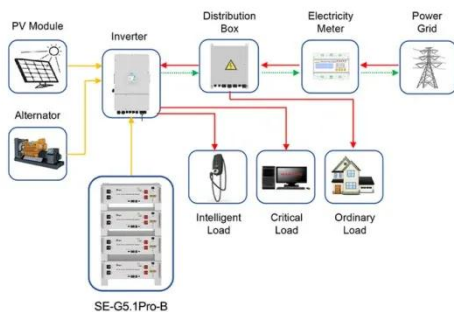
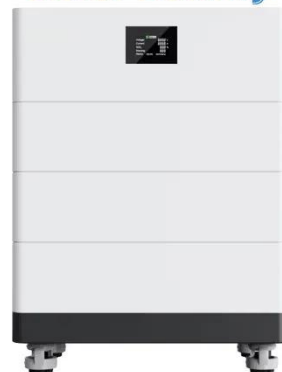
[Get Price](#)

Pioneering energy storage system lights up 'roof of the world'

The world's first intelligent grid-forming photovoltaic and energy storage power station, tailored for ultra-high altitudes, low-temperatures and weak-grid scenarios, has been connected to ...

[Get Price](#)

High Voltage Solar Battery



Application scenarios of energy storage battery products

Tesla to build grid-side energy storage station in Shanghai

SHANGHAI, June 21 (Xinhua) -- U.S. carmaker Tesla on Friday inked a deal with Chinese partners to build a grid-side energy storage station in Shanghai using its Megapack energy-storage batteries.

[Get Price](#)

First new-type energy storage power station put into operation in

The construction of grid-side new-type energy storage projects is a key task for ensuring power supply during peak summer demand in Jiangsu Province in 2024.

[Get Price](#)



New Energy Station Energy Storage Configuration Strategy

...

This paper proposes an energy storage configuration method in new energy stations to promote the consumption of new energy. At first, the cost model included th

[Get Price](#)

New Energy Storage Technologies Empower Energy Transition

Based on a brief analysis of the global and Chinese energy storage markets in terms of size and future development, the publication delves into the relevant business models and cases of new energy ...

[Get Price](#)



New-type energy storage poised to fuel China's growth



Building on its leadership in electric vehicles, lithium batteries and solar panels, China is now poised to unlock a new economic growth frontier in new-type energy storage.

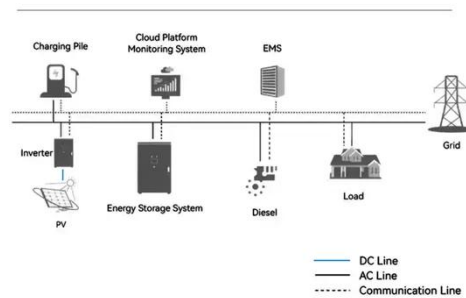
[Get Price](#)

China's Largest Grid-Forming Energy Storage Station Successfully

This marks the completion and operation of the largest grid-forming energy storage station in China. The photo shows the energy storage station supporting the Ningdong Composite ...

[Get Price](#)

System Topology



China leads the world in new-type energy storage capacity

In a significant technological advancement, the country's largest "coal-to-power plus molten salt" storage project, located in Suzhou, east China's Anhui province, recently completed a ...

[Get Price](#)

What is the new energy storage power station? , NenPower

New energy storage power stations represent a cornerstone of modern energy systems, particularly in the context of transitioning toward renewable energy sources.

[Get Price](#)



Contact Us

For catalog requests, pricing, or partnerships, please visit:
<https://www.cannabiswow.es>

