

Microgrid secondary control simulation



Microgrid secondary control simulation



An Adaptive Secondary Control Based on Recursive Neural

Abstract. This work proposes a model reference adaptive control based on recursive neural networks. This secondary-level controller corrects the deviations on the voltage and frequency setpoints of a ...

[Get Price](#)

Design, Operate, and Control Remote Microgrid

Simulate different operating scenarios, including a feeder switch in secondary substation, diesel trip, diesel planned islanding, and diesel start and resynchronization. Verify the compliance of the ...



[Get Price](#)



- ✓ 50KW/100KWH
- ✓ HIGHER POWER OUTPUT IN OFF-GRID MODE
- ✓ CONVENIENT OPERATION & MAINTENANCE
- ✓ PRE-WIRED

Microgrid Controls , Grid Modernization , NLR

Microgrid Controls NLR develops and evaluates microgrid controls at multiple time scales. Our researchers evaluate in-house-developed controls and partner-developed microgrid ...

[Get Price](#)

Controller Hardware in the Loop Testing of Microgrid Secondary

In this paper, we describe such testing for two microgrid frequency control schemes. The first scheme is based on a centralized decision-making approach, while the second one is based on a distributed ...

[Get Price](#)



A Data-Driven Centralized Secondary Control Design Methodology for

Managing frequency, voltage, and power dynamics in microgrids under varying conditions, however, poses significant challenges. This paper proposes an adaptive, data-driven secondary control ...

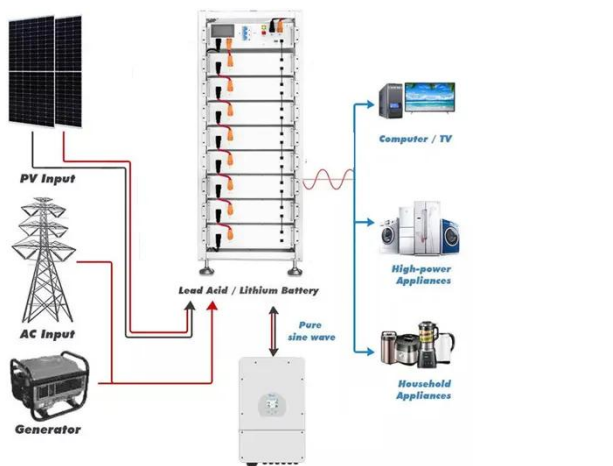
[Get Price](#)

MODELING AND REAL-TIME SIMULATION OF MICROGRID ...

table variability, which can vary depending on the application. While OPAL-RT is capable of simulating microgrid components and primary or secondary controllers to study transient responses in real-time, ...

[Get Price](#)





Simulink model of Inverter-based Microgrid with MPC ...

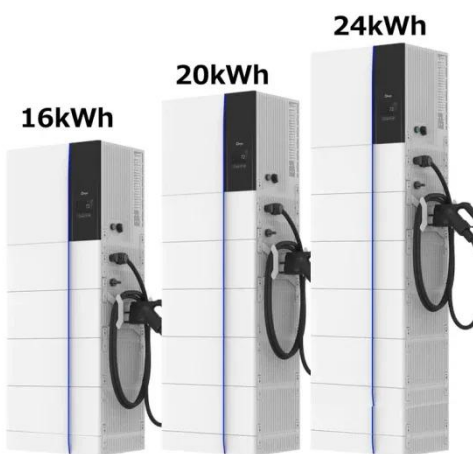
Simulink model of Inverter-based Microgrid with MPC for Primary and Secondary control layers - VoBerlin/MPC_Microgrid

[Get Price](#)

Microgrids (Part II) Microgrid Modeling and Control

Such DERs are typically power electronic based, making the full system complex to study. A detailed mathematical model of microgrids is important for stability analysis, optimization, simulation studies ...

[Get Price](#)



On the Secondary Control Architectures of AC Microgrids: An ...

Fig. 9. Secondary control structures: (a) centralized master-slave secondary control, (b) distributed averaging secondary control, (c) distributed consensus secondary control, (d) decentralized ...

[Get Price](#)

New modeling approach of secondary control layer for

autonomous ...

Simulation and practical experiments of a hierarchical control scheme, including traditional droop control and the proposed secondary control for two single-phase parallel inverters, are ...

[Get Price](#)



Contact Us

For catalog requests, pricing, or partnerships, please visit:
<https://www.cannabiswow.es>

