

Maputo solar power



Overview

State-owned power utility Electricidade de Moçambique plans to invest US\$110. 6 million with private companies to install a 60 MW solar power plant next to the Corumana dam in Maputo province. According to the technical summary of the environmental impact study in public consultation, to. The Solarcontainer is a photovoltaic power plant that was specially developed as a mobile power generator with collapsible PV modules as a mobile solar system, a grid-independent solution represents. Solar panels lay flat on the ground. We are dedicated to delivering exceptional energy solutions, guiding our customers through the. Maputo, Mozambique's bustling capital, is witnessing a solar energy revolution.

Maputo solar power



Maputo bank solar container plant

Maputo bank solar container plant What is a solarcontainer? The Solarcontainer is a photovoltaic power plant that was specially developed as a mobile power generator with collapsible PV modules as a ...

[Get Price](#)

Photovoltaic Solar Panels in Maputo: Harnessing Sunlight for

Discover how solar energy is transforming Maputo's energy landscape, reducing costs, and empowering communities. Learn about installation trends, government incentives, and real-world success stories.

[Get Price](#)



Maputo Solar Photovoltaic Panels: Powering a Sustainable Future

Summary: Explore how solar photovoltaic panels are transforming energy access in Maputo. This guide covers industry trends, cost-benefit analysis, and practical insights for

businesses and homeowners ...

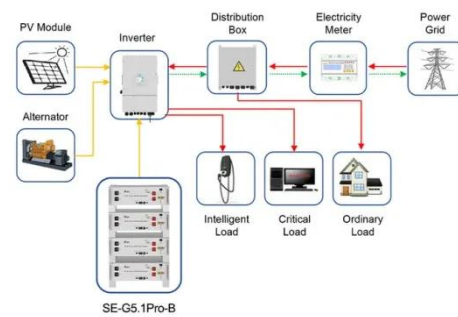
[Get Price](#)



Maputo's Solar Energy Storage Breakthrough: Solving Africa's Urban

As we approach Q4 2025, Maputo's storage capacity will reach 84MWh - enough to power 12,000 homes through the night. The project's success has sparked interest from Lagos to Nairobi, proving ...

[Get Price](#)



Application scenarios of energy storage battery products



Lumen Solar: Leading Energy Solutions in Mozambique , Lumen Solar

Lumen Solar LTDA, based in Maputo, Mozambique, specializes in project and operations management for solar, hybrid, and geothermal energy solutions for domestic, commercial, and utility-scale ...

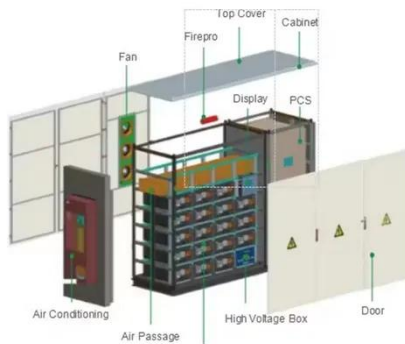
[Get Price](#)

Maputo Photovoltaic Energy

Storage Battery Magnetic Pump: ...

We specialize in large-scale solar power generation, solar energy projects, industrial and commercial wind-solar hybrid systems, photovoltaic projects, photovoltaic products, solar industry solutions, ...

[Get Price](#)



Mozambique: New 60 MW solar power plant for Maputo province in ...

Mozambique plans to implement solar power plants in at least five parts of the country by 2030, estimating that it will introduce a capacity of 1,000 MW of electricity production into the grid, ...

[Get Price](#)

Mozambique Solar Energy

A Mozambique Solar Energy oferece soluções completas e acessíveis de energia solar em todo o país, com montagem gratuita em Maputo e Matola. Fornecemos kits adaptados à realidade de casas e ...

[Get Price](#)



Maputo Province to Get 60 MW Solar Farm Costing EUR102M

The state-owned company Eletricidade



de Moçambique plans to invest \$110.6 million (EUR102 million) with private companies to install a 60 MW solar power plant next to the Corumana dam

...

[Get Price](#)

Mozambique plans new solar energy plant

A new US\$110.6 million solar project is planned for Mozambique, bringing the country one step closer to its goal of universal electrification by 2030.

[Get Price](#)



Contact Us

For catalog requests, pricing, or partnerships, please visit:
<https://www.cannabiswow.es>

