

Lithium iron phosphate large monomer energy storage battery



Lithium iron phosphate large monomer energy storage battery



The Enduring Power of LFP Batteries: A New Era for Energy Storage

The most prominent technology leading this charge is the lithium iron phosphate (LFP) battery. A recent analysis confirms that LFP is quickly becoming the standard for large-scale energy storage systems, and ...

[Get Price](#)

lithium iron phosphate lfp batteries

In the lithium battery industry, especially for LiFePO₄ (Lithium Iron Phosphate) batteries widely used in telecom, UPS, and energy storage systems, battery lifespan is usually evaluated from two critical dimensions: cycle ...



[Get Price](#)



LFP Battery: Why Lithium Iron Phosphate Is Taking Over EVs

...

Discover why LFP batteries are dominating EVs and solar storage. Learn about safety, longevity, cost benefits, and how they compare to other lithium-ion tech.

[Get Price](#)

Lithium Iron Phosphate Battery Solar: Complete 2025 Guide

Lithium iron phosphate batteries use lithium iron phosphate (LiFePO4) as the cathode material, combined with a graphite carbon electrode as the anode. This specific chemistry creates a stable, safe, and ...



[Get Price](#)



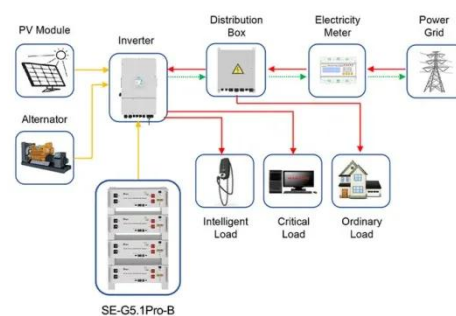
Everything You Need to Know About LiFePO4 Battery Cells: A

LiFePO4 is a type of lithium-ion battery distinguished by its iron phosphate cathode material. Unlike traditional lithium-ion batteries, LiFePO4 batteries offer superior thermal stability, robust power output, and a longer ...

[Get Price](#)

The Ultimate Guide to Lithium Iron Phosphate Batteries

A detailed examination of Lithium Iron Phosphate (LiFePO4) battery technology, covering its unique chemistry, operational principles, and key performance metrics. This guide explains why LFP ...



Application scenarios of energy storage battery products

[Get Price](#)

Executive summary - Batteries



and Secure Energy Transitions - Analysis

Lithium-ion batteries dominate both EV and storage applications, and chemistries can be adapted to mineral availability and price, demonstrated by the market share for lithium iron phosphate (LFP) batteries rising to ...

[Get Price](#)

Lithium iron phosphate battery

The lithium iron phosphate battery (LiFePO 4 battery) or LFP battery (lithium ferrophosphate) is a type of lithium-ion battery using lithium iron phosphate (LiFePO 4) as the cathode material, and a graphitic carbon electrode ...

[Get Price](#)

50KW modular power converter



Lithium Iron Phosphate (LFP) Battery Energy Storage: Deep Dive into

Lithium Iron Phosphate (LiFePO₄, LFP) batteries, with their triple advantages of enhanced safety, extended cycle life, and lower costs, are displacing traditional ternary lithium batteries as the preferred ...

[Get Price](#)

Contact Us

For catalog requests, pricing, or partnerships, please visit:
<https://www.cannabiswow.es>

