

Lifepo4 cylindrical cell



Lifepo4 cylindrical cell



A Comprehensive Guide to LiFePO4 Cells

Description: The 18650 is one of the most common cylindrical LiFePO4 cell models. The name "18650" refers to the dimensions of the battery (18mm diameter and 65mm length).

[Get Price](#)

LiFePO4 Cylindrical Single Cells

Home > Custom LiFePO4/LiFeMnPO4 Batteries > 3.2V LiFePO4 Single Cells > LiFePO4 Cylinder Cells

[Get Price](#)



Premium LiFePO4 Cylindrical Batteries

Lifepo4 cylindrical cells provide an exceptional energy density, allowing for longer usage times and reduced weight in applications such as electric vehicles and portable devices. This efficiency not only ...

[Get Price](#)

LiFe-Shenzhen Melasta Battery Co., Ltd

The tubular cylindrical shape can withstand high internal pressures without collapsing. Melasta produces multiple sizes and capacities according to the customer requirement.

[Get Price](#)



Cylindrical Cells: NMC, LiFePO4 Batteries

Cylindrical Cell (NMC/LiFePO4) ACE offer cylindrical cells like 18650, 26650, 21700, 32140 and 46180, with diversified capacity levels and discharge rates, applicable for aerial work platforms, floor ...

[Get Price](#)

What is the working principle of LifePo4 Cylindrical Cell?

First off, what exactly is a LifePo4 Cylindrical Cell? Well, it's a type of rechargeable battery that uses lithium iron phosphate as the cathode material. The cylindrical shape is, as the name suggests, a ...

[Get Price](#)



LiFePO4 Battery Cell: Prismatic vs Pouch vs Cylindrical Lithium Ion

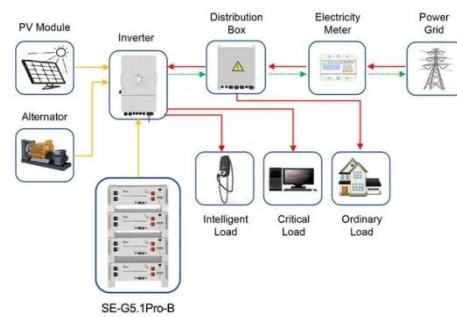


Compare prismatic, pouch, and cylindrical LiFePO4 battery cells: explore advantages, flexibility, space efficiency, and ideal applications for each design.

[Get Price](#)

Types of LiFePO4 Battery Cells: Cylindrical, Prismatic, and Pouch

Cylindrical LiFePO4 cells are the most commonly used type of lithium iron phosphate batteries. They resemble the shape of traditional AA or AAA batteries and are widely employed in applications where ...



Application scenarios of energy storage battery products

[Get Price](#)



Lifepo4 Cylindrical Cells

The lifepo4 cylindrical cells are the first mature and industrialized lithium battery products. After more than 20 years of development, the production process of lifepo4 cylindrical cells is now mature, with ...

[Get Price](#)

LiFePO4 Cells

LiFePO4 cells features with high discharging current, nonexplosive and

long cycle life (IEC Standard: over 2000 cycles @ 0.2C rate), but its energy density is lower than normal Li-ion and Li-Polymer ...

[Get Price](#)



Contact Us

For catalog requests, pricing, or partnerships, please visit:
<https://www.cannabiswow.es>

