

# Jerusalem Mobile Energy Storage Container 2MWh Price Reduced



**1075KWHH ESS**



## Overview

---

Recent pricing trends show 20ft containers (1-2MWh) starting at \$350,000 and 40ft containers (3-6MWh) from \$650,000, with volume discounts available for large orders. Receive exclusive pricing alerts, new product launches, and industry insights - no spam, just valuable content. Summary: Explore Jerusalem's growing energy storage container market with actionable insights on industry trends, buyer considerations, and competitive advantages. Discover how modular solutions are shaping renewable energy projects and industrial applications across the region. Get ahead of the energy game with SCU! 50Kwh-2Mwh What is energy storage container?

SCU. Emerging markets in Africa and Latin America are adopting mobile container solutions for rapid electrification, with typical payback periods of 3-5 years. Technological. In total, the cost of a 2MW battery storage system can range from approximately \$1 million to \$1.

## Jerusalem Mobile Energy Storage Container 2MWh Price Reduced



### How much does a 2mwh energy storage container cost

"Our solar microgrid energy storage system has significantly reduced our electricity costs and optimized power distribution. The seamless installation process enhanced our energy efficiency."

[Get Price](#)

## ENERGY STORAGE CONTAINER PRICES AND SIZES

What is a containerized energy storage system?The Containerized energy storage system refers to large lithium energy storage systems installed in sturdy, portable shipping containers, which usually ...



[Get Price](#)

## 2MWh Energy Storage Container System

HJ-G1000-2200F 2MWh Energy Storage Container System is a highly efficient and comprehensive energy storage system. It adopts an integrated design and provides stable and flexible energy ...

[Get Price](#)



## Jerusalem Energy Storage Container Sales: Key Insights for Buyers ...

Summary: Explore Jerusalem's growing energy storage container market with actionable insights on industry trends, buyer considerations, and competitive advantages.

[Get Price](#)



Modular design,  
unlimited combinations in parallel  
**BUILT-IN DUAL FIRE PROTECTION MODULE**



## Jerusalem Energy Storage Container 2MWh Price Quote

In this article, we break down typical commercial energy storage price ranges for different system sizes and then walk through the key cost drivers behind those

[Get Price](#)

## 2MWh Energy Storage Container System

Adopting 40-foot non-walk-in container design, the highly integrated and modular energy storage unit inside the container is convenient for transportation, installation and maintenance.

[Get Price](#)



## JERUSALEM ENERGY STORAGE PHOTOVOLTAIC SYSTEM

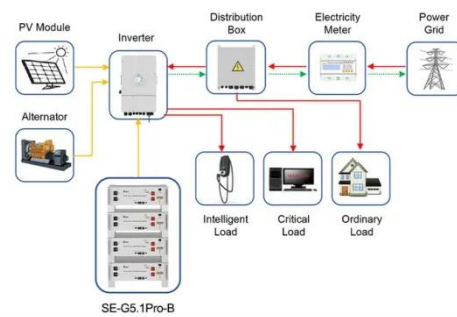


Recent pricing trends show 20ft containers (1-2MWh) starting at \$350,000 and 40ft containers (3-6MWh) from \$650,000, with volume discounts available for large orders.

[Get Price](#)

## 2MWh Energy Storage Container System

With 95% efficiency, modular design, and seamless integration with renewable energy sources, this system enhances grid stability and reduces energy costs. Ideal for large-scale energy storage needs.



Application scenarios of energy storage battery products

[Get Price](#)



## Jerusalem Energy Storage Container 2MW , EQACC SOLAR

Mobile 20ft and 40ft BESS containers now provide flexible, scalable energy storage with deployment times reduced by 80% compared to traditional stationary installations.

[Get Price](#)

## Energy storage container, BESS container

Reduced energy costs in areas with big

peak-to-valley price differences or negative prices. Solar, storage and diesel generator combined microgrid used in areas without electricity. Integrate solar,

...

[Get Price](#)



---

## Contact Us

For catalog requests, pricing, or partnerships, please visit:  
<https://www.cannabiswow.es>

