

Inverter power W and H



Inverter power W and H



Inverter Capacity Calculator

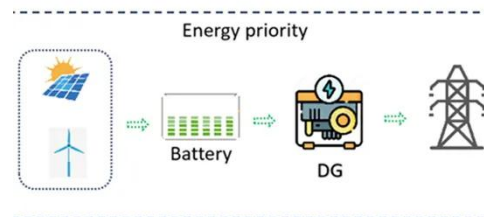
Understanding inverter capacity is essential for ensuring that your backup power system can handle the electrical demands of all connected devices efficiently. This guide explores the ...

[Get Price](#)

Inverter Specifications and Data Sheet

The article provides an overview of inverter functions, key specifications, and common features found in inverter systems, along with an example of power calculations and inverter ...

[Get Price](#)



- LIQUID/AIR COOLING
- INTELLIGENT INTEGRATION
- PROTECTION IP54/IP55
- BATTERY /6000 CYCLES



Inverter Capacity Calculator & Formula Online Calculator Ultra

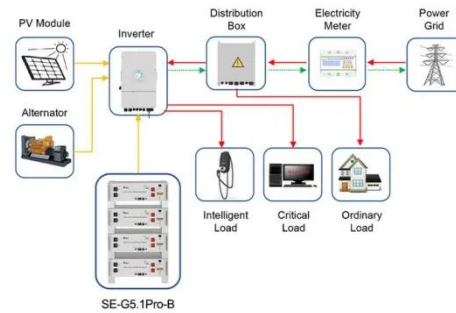
Inverter capacity calculation is essential for selecting the right inverter that can handle the electrical load during power outages or off-grid conditions. By understanding the required inverter ...

[Get Price](#)

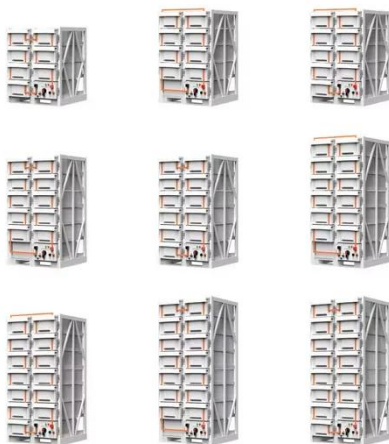
What do the Watts on an Inverter Mean?

An inverter is an important electrical device used to convert direct current (DC) into alternating current (AC). When purchasing an inverter, you may notice that it is labeled with watts. ...

[Get Price](#)



Application scenarios of energy storage battery products



Watt, Inverters, Solar Power: A Simple Guide to Understanding

...

If you're thinking about buying a portable power station, the specifications can get confusing. There are numbers like watt-hours, inverters, solar input watts, and more. Sometimes it ...

[Get Price](#)

A Single-Input Cascaded H-Bridge Grid-Connected PV Inverter ...

To address the limitations of conventional cascaded H-bridge multilevel inverters, which require multiple isolated DC power supplies, a single-input cascaded H-bridge inverter with ...



[Get Price](#)

Inverter Specifications and Data Sheet



Use our free inverter load calculator to determine the right VA and Ah for your home. Learn how to calculate electricity load in kW for better power backup.

[Get Price](#)

What's the reason for large VA vs W difference in an inverter?

A sane and efficient inverter is expected to consume input power related to the "real" output power (W) and not to the "apparent" output power (VA). In your case, it could be something ...

[Get Price](#)



Inverter Power Calculator, Formula, Inverter Calculation

Enter the values of rated inverter power, $RP(W)$ in watts and efficiency, E to determine the value of Inverter power, $P_i(W)$.

[Get Price](#)

Inverter Load Calculation: A Complete Guide for Your Home

Use our free inverter load calculator to determine the right VA and Ah for your home. Learn how to calculate electricity

load in kW for better power backup.

[Get Price](#)



Inverter Usage Calculator

Enter the battery capacity, inverter efficiency, and load power into the calculator to determine the usage time of an inverter. This calculator helps to estimate how long an inverter can ...

[Get Price](#)

What's the reason for large VA vs W difference in ...

A sane and efficient inverter is expected to consume input power ...

[Get Price](#)



Contact Us

For catalog requests, pricing, or partnerships, please visit:
<https://www.cannabiswow.es>

