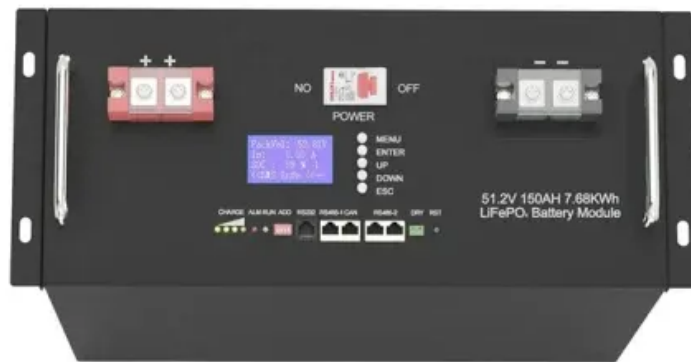


Installation Scheme for 1MWh Outdoor Energy Storage Cabinet for Production Line Users



51.2V 150AH, 7.68KWH



Installation Scheme for 1MWh Outdoor Energy Storage Cabinet for



Energy Storage Enclosures/Cabinets , Modular Design to Meet Diverse

Our battery storage cabinets are constructed with a modular design, providing optimal flexibility for businesses across various sectors. Our power storage cabinets also adhere to safety and quality standards such as UL, ...

[Get Price](#)

ECO ESS-Outdoor cabinet energy storage system installation ...

The purpose of this manual is to ensure safe operation during installation, ensure the quality of equipment installation, ensure construction progress and promote installation technology.

[Get Price](#)



Outdoor installation of energy storage cabinet

An outdoor energy storage cabinet functions as a secure housing unit for energy storage systems and is typically employed in various settings, such as residential, commercial,

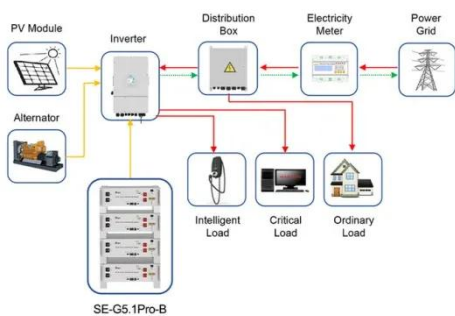
[Get Price](#)



Large Energy Storage Cabinet Installation: Best Practices for

Whether for wind farms, solar plants, or industrial facilities, proper installation ensures safety and maximizes ROI. This guide explores proven methods, emerging trends, and critical considerations - perfect for project ...

[Get Price](#)



Application scenarios of energy storage battery products

SEPLOS 1.1MWH C & I ENERGY STORAGE CABINET SOLUTION

The warning signs on and inside the cabinet of medium- sized energy storage products contain important information for safe operation of medium- sized energy storage products.

[Get Price](#)

Quick Guide (Based on 2.0MWH and 1.0MWH Series ESS)

In an outdoor scenario, you are advised to power on the PSU within 24 hours after unpacking. If the PSU cannot be powered on in time, place it in a dry indoor environment without corrosive gases.

[Get Price](#)



1 MW/ 1 MWh energy storage system



The battery unit uses sea-based 120 Ah batteries, the battery module adopts the 2P16 S combination method, and the battery cluster adopts a 700-1500 V voltage system design scheme. The container is designed as a ...

[Get Price](#)

The Ultimate Guide to Energy Storage Cabinet Installation Steps (With

You've just unboxed your shiny new energy storage cabinet, and suddenly realize it's about as easy to assemble as IKEA furniture without the pictograms. This guide is your lifesaver if you're:

[Get Price](#)



Energy Storage Cabinet Production Line

We will tailor an exclusive project plan for you by assessing your business needs, reviewing the current project status, and analyzing your competitors in the industry. This production line is used for automatic assembly ...

[Get Price](#)

1MWh Energy Storage Container System

Its compact size allows for rapid deployment, making it an ideal fit for small microgrids, off-grid applications, or regional telecom base stations, providing reliable power without the need for large-scale energy storage.

[Get Price](#)



Contact Us

For catalog requests, pricing, or partnerships, please visit:
<https://www.cannabiswow.es>

