

Huawei solar container battery effect



Overview

Unlike conventional storage solutions, Huawei's system employs Smart String Technology that increases energy yield by 15% while extending battery lifespan. A modular design allows configurations from 5kWh for residential use to 100MWh for utility-scale projects. Energy Storage System Products List covers all Smart String ESS products, including LUNA2000, STS-6000K, JUPITER-9000K, Management System and other accessories product series. Huawei's intelligent lithium battery solutions provide dynamic peak shifting, transforming traditional backup power systems into efficient energy storage solutions that enhance system flexibility and reliability. This article dives into technical advantages, real-world applications, and global market trends driving demand for smart solar storage solutions. What is energy storage system. Why Containerized Energy Storage Matters Today Ever wondered how solar farms keep lights on when the sun isn' Meta Description: Explore how Huawei's container energy storage projects transform renewable energy integration. Through open collaboration with ecosystem organizations of all.

Huawei solar container battery effect



Inside Huawei's energy storage battery container

Huawei's energy storage technologies extend battery life, ensure safe operation and simplify maintenance and servicing (O& M) through precise management of battery cells, packs and racks, ...

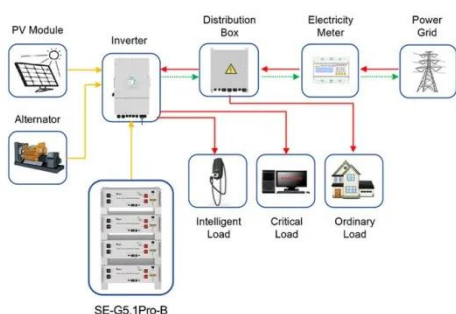
[Get Price](#)

How to Choose the Best Solar Battery Huawei for Your Home Energy ...

Learn what to look for in a solar battery Huawei, including key specs, top models, pricing, and buyer tips to make an informed decision.



[Get Price](#)



Application scenarios of energy storage battery products

Huawei Battery Storage System: Powering a Sustainable Energy Future

Unlike conventional storage solutions, Huawei's system employs Smart String Technology that increases energy yield by 15% while extending battery lifespan. A modular design allows ...

[Get Price](#)

Huawei energy storage solar container lithium battery selling point

Huawei's intelligent lithium battery solutions provide dynamic peak shifting, transforming traditional backup power systems into efficient energy storage solutions that enhance system flexibility and ...



[Get Price](#)



Huawei Photovoltaic Energy Storage System: Powering the Future ...

Summary: Explore how Huawei's lithium battery-based photovoltaic energy storage systems are reshaping renewable energy solutions across industries. This article dives into technical advantages, ...

[Get Price](#)

Huawei Wins World's Largest Solar-Storage Project Order

The project has commenced in November 2024. Huawei will equip the project with an energy storage container battery system and auxiliary components, a battery management system, a ...



[Get Price](#)

Huawei Container Energy Storage: Revolutionizing



Renewable Energy

Huawei's container energy storage projects hold the key. As renewable energy adoption surges globally - with solar and wind capacity expected to grow by 60% by 2030 - efficient storage solutions ...

[Get Price](#)

Inside the best battery storage systems with Huawei's BESS expert

Mauricio Olmos, Senior PV and BESS Expert at Huawei, explains why the battery has become the "star" of the system - helping homeowners store excess solar power, reduce costs and achieve greater ...



[Get Price](#)

Commercial and Industrial ESS

Air Cooling / Liquid Cooling

- Budget Friendly Solution
- Renewable Energy Integration
- Modular Design for Flexible Expansion



INSIDE HUAWEI'S ENERGY STORAGE BATTERY CONTAINER

What are Huawei's intelligent lithium battery solutions? Huawei's intelligent lithium battery solutions provide dynamic peak shifting, transforming traditional backup power systems into efficient energy ...

[Get Price](#)

Energy Storage System Products List , HUAWEI Smart

PV Global

Energy Storage System Products List covers all Smart String ESS products, including LUNA2000, STS-6000K, JUPITER-9000K, Management System and other accessories product series.

[Get Price](#)



Contact Us

For catalog requests, pricing, or partnerships, please visit:
<https://www.cannabiswow.es>

