

How much does a large-scale outdoor telecom enclosure cost



Overview

Prices for outdoor telecom cabinets as of 2025 can run anywhere from \$900 to \$5,000, depending on design, materials, and integrated systems. Let's break that down: Why such a wide range?

Because not all cabinets serve the same function. What is an outdoor telecom cabinet?

Before jumping into costs, let's clarify what we are. The market for outdoor telecom cabinets was valued at USD 5.1 billion in 2024 and is projected to reach USD 8. Costs vary widely, from affordable models to premium designs tailored for specific needs, reflecting the diverse requirements of the telecom industry. Our commitment to American manufacturing means you receive consistent quality, faster lead times, and complete Build America, Buy America (BABA) self-certification documentation with every. Many types of devices need an outdoor telecommunications enclosure. Key industry developments include rising demand for IP65+ rated enclosures due to extreme weather.

How much does a large-scale outdoor telecom enclosure cost



Outdoor Telecom Cabinet , Outdoor Telecom Enclosures , Cube Cabinet

Explore Charles Industries' Outdoor Telecom Cabinets & Enclosures for secure, durable protection of telecom equipment in outdoor environments. Enquire now!

[Get Price](#)

The structure and cost of telecom cabinets

The market for outdoor telecom cabinets was valued at USD 5.1 billion in 2024 and is projected to reach USD 8.6 billion by 2033. Costs vary widely, from affordable models to premium designs tailored for ...



[Get Price](#)



NEMA Outdoor Telecommunications Cabinets , DDB ...

DDB Unlimited manufactures NEMA outdoor cabinets to protect telecommunications, fiber optics, Wi-Fi and other electronics from the outdoors.

[Get Price](#)

How Much Does an Outdoor Telecom Cabinet Cost in 2025?

Discover how much an outdoor telecom cabinet costs in 2025, what factors affect pricing, and how features like weatherproofing, batteries, and solar integration add value.



[Get Price](#)



Outdoor Telecom Enclosure

Contact us today to buy or customize an outdoor telecom enclosure right for your needs! The KDM outdoor telecom enclosures are unique because of their exceptional features for your telecommunication needs. ...

[Get Price](#)

Outdoor Telecommunications Enclosure Buying Guide , Polycase

Applications For Outdoor Telecommunications Enclosures
 Assessing Environmental Hazards
 Transmission Properties
 Choosing An Enclosure Material
 Choosing A Nema Or IP Rating
 Important Features For Outdoor Telecommunications Enclosures
 Outdoor Telecommunications Enclosure Accessories
 Customizing Your Outdoor Telecommunications Enclosure
 Outdoor Telecommunications Enclosures from Polycase
 Our full selection of outdoor enclosures includes dozens of models with a huge variety of



features. Here are some of the most popular models we offer, along with their highest NEMA and IP ratings: 1. Polycase WC Series(NEMA 4X/IP66): The WC Series are some of our most popular and cost-effective polycarbonate enclosures, with features that make them See more on polycase Charles Industries

Outdoor Telecom Cabinet , Outdoor Telecom Enclosures , Cube Cabinet

Explore Charles Industries' Outdoor Telecom Cabinets & Enclosures for secure, durable protection of telecom equipment in outdoor environments. Enquire now!

[Get Price](#)



Weatherproof Outdoor Electrical Enclosures , Durable Outdoor Telecom

Discover AZE Telecom's weatherproof outdoor electrical enclosures and durable outdoor cabinets. Protect your electrical and telecom equipment from harsh environments with our IP-rated, waterproof, and customizable ...

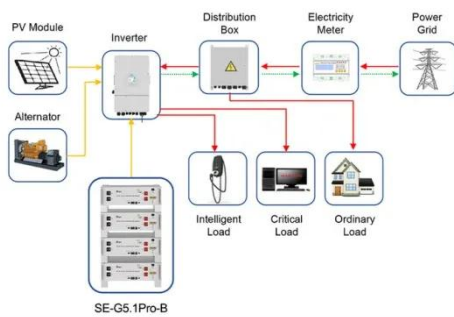
[Get Price](#)

Outdoor Telecommunications Enclosure Buying Guide , Polycase

We'll look at factors that determine which one is right for your application, as

well as some outdoor telecommunications enclosure options from Polycase that provide high-performance protection. ...

[Get Price](#)



Application scenarios of energy storage battery products

Waterproof Outdoor Telecommunication Enclosures for 5G & Network ...

Need durable outdoor telecommunication enclosures? Discover IP65-rated cabinets with UV resistance and custom options. Compare 50,000+ products from verified suppliers. Click to explore solutions ...

[Get Price](#)

Outdoor Telecom Cabinets & Enclosures , NEMA-Rated

Whether you're planning a single installation or a large-scale network deployment, we deliver BABA-compliant outdoor telecom enclosures built to perform and engineered to last.

[Get Price](#)



Telecom System Integration and Outdoor Network ...



Westell offers secure, weather-tight outdoor network enclosures to protect electronic equipment for outdoor telecom networks.

[Get Price](#)

Contact Us

For catalog requests, pricing, or partnerships, please visit:
<https://www.cannabiswow.es>

