

Honduras outdoor battery cabinet bms



Honduras outdoor battery cabinet bms



HONDURAS BATTERY CONTRACT MANUFACTURING

Ranging from 208kWh to 418kWh, each BESS cabinet features liquid cooling for precise temperature control, integrated fire protection, modular BMS architecture, and long-lifespan lithium iron phosphate ...

[Get Price](#)

Honduras integrated energy storage cabinet manufacturer

Outdoor IP55 cabinets act as a robust fortress, shielding the sensitive components of energy storage systems from harsh weather conditions, temperature extremes, moisture, and dust.



[Get Price](#)



SmartGen HBMS100 Energy storage Battery cabinet

HBMS100 Energy storage Battery cabinet is a battery management system with cell series topology, which can realize the protection of over charge/discharge for the built-in battery cells, as well as the ...

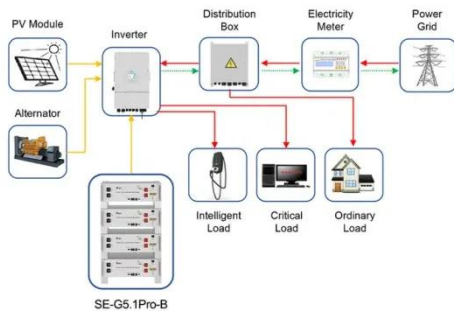
[Get Price](#)

100kWh Integrated Outdoor BESS with BMS, EMS & PCS

The system integrates a battery, BMS, EMS, modular PCS, and fire protection into a compact, weatherproof unit, making it highly suitable for industrial and commercial applications. It features long ...



[Get Price](#)



Application scenarios of energy storage battery products

Outdoor ESS Battery Cabinet Container System 1Mwh 2Mwh 3Mwh ...

This supplier mainly exports to Honduras, the United States, and Canada. They offer full customization, design-based customization, and sample customization, and have product certifications.

[Get Price](#)

Honduras Smart Energy Storage Cabinet Design Factory Operation

ECE One-stop outdoor solar battery storage cabinet is a beautifully designed turnkey solution for energy storage system. The commercial solar battery storage system is loaded with cell modules, PCS, ...



[Get Price](#)

ESS Solar Energy Storage Battery Cabinet 215kwh 430kwh 1MWh All ...



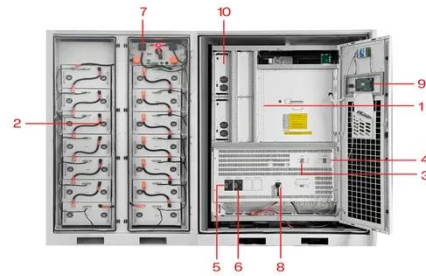
It is an one-stop integration system and consist of battery module, PCS, PV controler (MPPT) (optional), control system, fire control system, temperature control system and monitoring system.

[Get Price](#)

Energy storage battery cabinet

Energy storage battery cabinet HJ-SG-P type: This series of products integrates battery PACK, BMS system, high voltage box, power distribution unit, temperature control system, and fire protection ...

[Get Price](#)

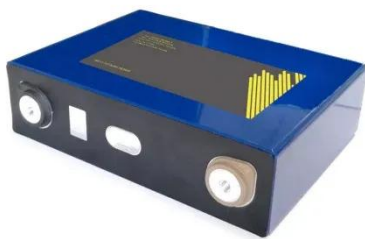


- | | |
|-----------------------------|-----------------------------|
| 1 PCS Module | 6 OPV2 side circuit breaker |
| 2 Battery room | 7 High Volt Box |
| 3 Grid side circuit breaker | 8 BAT side circuit breaker |
| 4 Load side circuit breaker | 9 LCD display screen |
| 5 OPV1 side circuit breaker | 10 MPPT |

Outdoor battery cabinet BMS battery management

Each battery cabinet includes an IP56 battery rack system, battery management system (BMS), fire suppression system (FSS), HVAC thermal management system and auxiliary distribution system.

[Get Price](#)



Honduras Industrial and Commercial Energy Storage Cabinet ...

The cabinet-mounted commercial and industrial energy storage system is designed to store large amounts of solar and grid energy, which can later be used to sustain critical operations ...

[Get Price](#)



Contact Us

For catalog requests, pricing, or partnerships, please visit:
<https://www.cannabiswow.es>

