

Energy storage power station 140 85 million usd



Energy storage power station 140 85 million usd



Economic Benefits of Energy Storage , Energy Storage Coalition

Green New Energy Materials has announced plans to open a lithium-ion battery separator facility in Denver, North Carolina. The company will invest \$140 million to stand up the new facility, which is expected to create ...

[Get Price](#)

Capalo AI raises \$13M to scale AI energy storage tech

Helsinki-based Capalo AI has raised an \$13M Series A led by Heartcore Capital to expand its AI-powered virtual power plant across Europe.



[Get Price](#)



2026 Renewable Energy Industry Outlook , Deloitte Insights

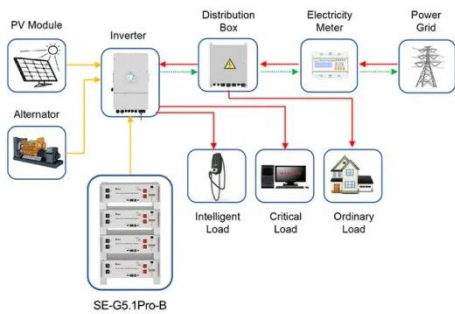
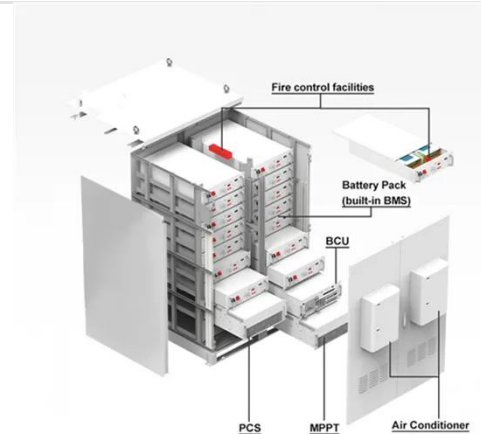
Preserved tax credit horizons, evolving procurement mandates, hyperscalers, and advances across storage, hydro, and geothermal will help position these resources to complement intermittent renewables, anchor grid ...

[Get Price](#)

Electricity and Energy Storage

In Northern Ireland, US generator AES has completed a 10 MW/5 MWh energy storage array at its Kilroot power station in Carrickfergus. The system consists of over 53,000 lithium-ion ...

[Get Price](#)



Application scenarios of energy storage battery products

S& P Global Energy

Venezuela S& P Global Energy examines the oil and wider energy market impacts of the US ouster of Venezuelan President Nicolas Maduro.

[Get Price](#)

Robert Moses Niagara Power Plant

Named for New York City planner Robert Moses, the plant was built to replace power production after the Schoellkopf Power Station, a nearby hydroelectric plant, collapsed in 1956.

[Get Price](#)



U.S. Energy Storage Market Size, Forecast 2025-2034

The U.S. energy storage market was estimated at USD 106.7 billion in 2024



and is expected to reach USD 1.49 trillion by 2034, growing at a CAGR of 29.1% from 2025 to 2034, driven by increased ...

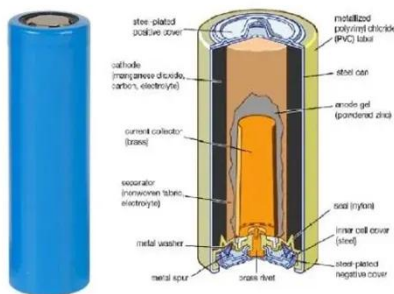
[Get Price](#)

Factor This(TM) Energy Understood. All Factored In.

Factor This(TM) is your premier source for green energy and storage news. Learn the latest in solar, wind, bio, and geothermal energy.

[Get Price](#)

Test certification
CE, FC, U



Energy Storage for a Modern Electric Grid: Technology ...

Energy storage includes an array of technologies, such as electrochemical batteries, pumped storage hydropower, compressed air and thermal storage.

[Get Price](#)

Contact Us

For catalog requests, pricing, or partnerships, please visit:
<https://www.cannabiswow.es>

