

# Egypt Energy Storage Equipment Procurement



## Egypt Energy Storage Equipment Procurement

---



### Energy storage systems impact on Egypt's future energy mix with high

High renewable energy penetration targets cannot be achieved without more reliance on energy storage technologies. This study provides a long-term techno-economic analysis for the ...

[Get Price](#)

---

### Egypt's Renewable Energy Buildout Continues as First Utility-Scale

AMEA Power, a renewable energy developer headquartered in Dubai in the United Arab Emirates (UAE), in August announced a 300-MWh battery energy storage system (BESS) had ...



[Get Price](#)

---



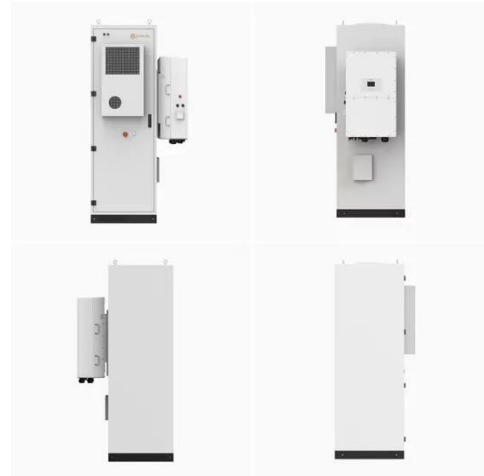
### Scatec signs PPA for 1 GW solar and 100 MW battery storage project in Egypt

The 25-year, USD-denominated agreement marks Egypt's first hybrid solar and battery energy storage system. Scatec will manage the engineering, procurement, and construction, along ...

[Get Price](#)

## Egypt Signs a Historic PPA for 2GW Solar and 4GWh Battery Storage

The Egyptian Electricity Transmission Company (EETC) has signed a Power Purchase Agreement (PPA) with Scatec ASA, for a total capacity of 1,950MW Solar and 3,900MWh Battery ...



[Get Price](#)



## Egypt Signs PPAs for Large-Scale Solar, Battery Projects

The Egyptian Electricity Transmission Company (EETC) has signed power purchase agreements (PPAs) with two renewable energy developers - Scatec and AMEA Power - to advance ...

[Get Price](#)

## Egypt set for 1.1 GWh of battery storage across three projects

Earlier this year, state-owned utility Egyptian Electricity Holding Co. held an expressions-of-interest tender for the design, construction and operation of a 8.2 MW solar plant and 2 ...

[Get Price](#)



## AMEA Power Signs Agreements to Develop 1,500MWh Battery Energy Storage



The company has signed Capacity Purchase Agreements to develop the first standalone battery energy storage stations in Egypt. There will be a 500MWh BESS project located in Zafarana ...

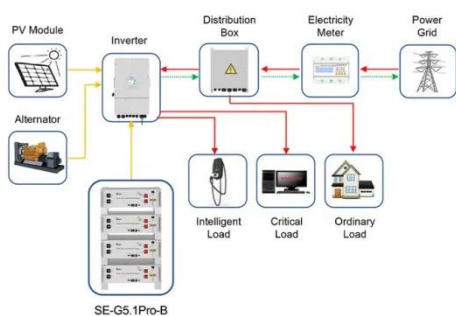
[Get Price](#)

## Scatec and Amea Power to Build Landmark Solar +Energy Storage ...

Scatec will provide engineering, procurement, and construction (EPC), asset management (AM), and operations and maintenance (O& M) services for the project. Meanwhile, ...



[Get Price](#)



Application scenarios of energy storage battery products

## Scatec signs PPA for 1 GW solar and 100 MW/200 MWh battery ...

Norwegian developer Scatec ASA has signed a 25-year power purchase agreement (PPA) with the Egyptian Electricity Transmission Company (EETC) for a 1 GW solar and 100 MW/200 MWh battery ...

[Get Price](#)

## Scatec signs PPA for solar and battery storage in Egypt

Norwegian energy company Scatec has signed a power purchase agreement (PPA) with the Egyptian Electricity Transmission Company for a 1GW solar and 100MW/200 megawatt hours ...

[Get Price](#)



---

## Contact Us

---

For catalog requests, pricing, or partnerships, please visit:  
<https://www.cannabiswow.es>

