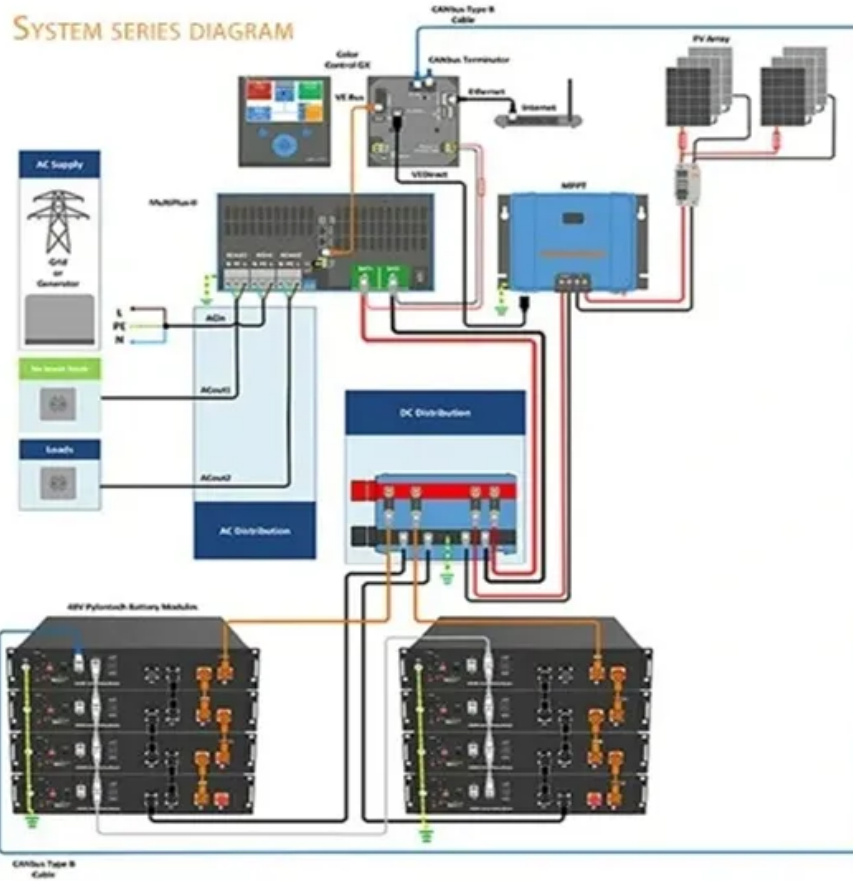


# Cyprus Mobile Energy Storage Container Three-Phase



## Overview

---

In a sun-drenched Mediterranean win for clean energy, Cyprus deployed a 12MWh Island BESS Container Microgrid across three islands in 2025 (Eurelectric). This solar-storage hybrid delivered a knockout punch to diesel reliance, slashing imports by a staggering 90% and energy costs by. The KSTAR BluE Residential ESS is a powerful all-in-one 3-phase energy storage system in Cyprus designed for homes that demand high efficiency, backup protection, and smart energy use. For existing projects, grant amount is capped at 125 EUR per kW of power storage. The Electricity Authority of Cyprus on Tuesday issued a tender to find contractors to carry out construction works and infrastructure projects for installing electricity storage systems at three of its substations in Nicosia, Larnaca and Paphos, as well as maintenance works at substations in. The Electricity Authority of Cyprus (EAC) has issued a tender for construction and infrastructure works to install electricity storage systems at three substations in Nicosia, Larnaca, and Paphos, along with maintenance at other substations. The project, approved by the Cyprus Energy Regulatory. Companies like EK SOLAR are pioneering hybrid solutions combining solar panels with modular battery systems. Their recent installation at a Limassol hotel achieved: Government plans outline three key focus areas through 2030: With €40 million allocated from the EU Recovery Fund, Cyprus aims to. Cyprus aims to complete energy storage system by 2026, launch competitive electricity market in 2025, KNEWS CLOSE Loading. TRENDING CyprusGreeceTurkeyterrorismtourismvaccine GREEK EDITION Pharmacies Home 12°Nicosia, 14 January, 2026 NEWS BUSINESS LIFE COMMENT OPINION OUT&ABOUT VIDEOS NEWS.

## Cyprus Mobile Energy Storage Container Three-Phase

---



### Nicosia Mobile Power Storage Vehicles: The Future of Renewable Energy

One thing's clear: the mobile power storage vehicles supplied in Nicosia today are just the opening act. With energy demands projected to double by 2035, these systems might eventually become the ...

[Get Price](#)

---

### Three giant batteries coming as Cyprus races to store renewable power

Cyprus will establish its first large-scale electricity storage infrastructure within the next 16 months, Energy Minister George Papanastasiou announced at the Green Agenda Cyprus Summit in ...



[Get Price](#)

---



### Energy Storage Projects in Cyprus: Key Developments and Future ...

Cyprus is rapidly embracing energy storage solutions to support its renewable energy transition and ensure grid stability. This article explores the latest advancements, challenges, and opportunities in ...

[Get Price](#)

## Cyprus Microgrid Energy Storage Project

In a sun-drenched Mediterranean win for clean energy, Cyprus deployed a 12MWh Island BESS Container Microgrid across three islands in 2025 (Eurelectric). This solar-storage hybrid delivered a ...



[Get Price](#)



## Nicosia container energy storage project

What is Container Energy Storage? Container energy storage, also commonly referred to as containerized energy storage or container battery storage, is an innovative solution designed to ...

[Get Price](#)

## The largest energy storage centre in Cyprus will be built in Larnaca

The Cyprus Department of the Environment has approved the construction and operation of a modern energy storage facility with a capacity of 59 MW and a storage capacity of 120 MWh in the Psevdás ...



[Get Price](#)

## Cyprus aims to complete



## energy storage system by 2026, launch

The government plans to complete a new energy storage system, along with storage installations at two Electricity Authority of Cyprus (EAC) power plants, by June 2026, Government ...

[Get Price](#)

---

## Cyprus prepares for advanced grid storage at three key substations

The tenders aim to have the storage systems operational by June 2026, enabling the transmission operator to manage energy efficiently and ensure uninterrupted electricity supply across ...



[Get Price](#)



## 3-Phase Energy Storage System

The KSTAR BluE Residential ESS is a powerful all-in-one 3-phase energy storage system in Cyprus designed for homes that demand high efficiency, backup protection, and smart energy use.

[Get Price](#)

---

## total investment cost of container energy storage project in ...

With the growth in electric vehicle sales, battery storage costs have fallen rapidly  
Cyprus's Largest Private Research Investment: The Cyprus Institute (Cyl) has announced the launch of a joint ...

[Get Price](#)



---

## Contact Us

For catalog requests, pricing, or partnerships, please visit:  
<https://www.cannabiswow.es>

