

# Communication base station wind power node



## Communication base station wind power node



### Research on Capacity Optimization Configuration of Wind/PV

Under the "dual carbon" goals, enhancing the energy supply for communication base stations is crucial for energy conservation and emission reduction. An individual base station with ...

[Get Price](#)

## Solar container communication station wind power node

Is solar-wind deployment suitable? nectability, as elaborated in Supplementary Table S3. 'Exploitability' pertains to the restrictions dictated by land use and terr Integrated Solar-Wind Power Container for ...



[Get Price](#)



### Research on Offshore Wind Power Communication System Based ...

Result After the completion of the 5G communication system based on PTN+ integrated small base station, IP transmission based on optical transmission, supporting multiple services and ...

[Get Price](#)

## Wind power construction of communication base stations

Wind power construction of communication base stations (PDF)  
 Small windturbines for telecom base stations The presentation will give attention to the requirements on using windenergy ...



[Get Price](#)



## 5G and energy internet planning for power and communication ...

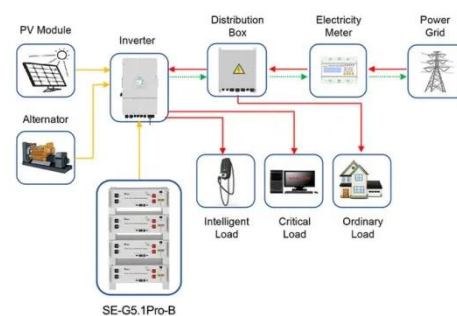
Our research addresses the critical intersection of communication and power systems in the era of advanced information technologies. We highlight the strategic importance of ...

[Get Price](#)

## Near and far points of wind power for communication base

...

Near and far points of wind power for communication base stations Overview  
 Wind power is one of the fastest-growing technologies for renewable energy generation. Unfortunately, in ...



Application scenarios of energy storage battery products

[Get Price](#)

## Introduction to communication



## base station wind power ...

Solar communication base station is based on PV power generation technology to power the communication base station, has advantages of safety and reliability, no noise and other ...

[Get Price](#)

## New base station for wind power communication

Can communication and power coordination planning improve communication quality of service? Our study introduces a communications and power coordination planning (CPCP) model that ...

[Get Price](#)



## Communication base station wind power outdoor unit

Discover the Outdoor Communication Base Site r01, a modular energy station supporting photovoltaic, wind, and generator power inputs. Ideal for communication, smart cities, and

[Get Price](#)

## The connection between communication base station and ...



Our study introduces a communications and power coordination planning (CPCP) model that encompasses both distributed energy resources and base stations to improve communication

[Get Price](#)

### Highvoltage Battery



---

## Contact Us

For catalog requests, pricing, or partnerships, please visit:  
<https://www.cannabiswow.es>

