

Chile What is energy storage equipment



Chile What is energy storage equipment



Chile Energy Storage: Powering the Future with Innovation

Welcome to Chile's energy storage revolution - where geography meets ingenuity. As global demand for renewable energy grows, Chile has become a laboratory for cutting-edge energy ...

[Get Price](#)

Chile Leads Latin America with the Largest Battery Energy Storage

Chile has taken a significant step in the development of clean energy with the inauguration of the largest battery energy storage system (BESS) in Latin America. This milestone marks a pivotal moment in ...



[Get Price](#)

Battery Energy Storage Systems (BESS) in Chile

With transmission lines at overcapacity and permitting delays slowing the development of new grid infrastructure, battery energy storage systems (BESS) have surged as a profitable ...

[Get Price](#)



Battery Energy Storage Systems (BESS) in Chile

With transmission lines at overcapacity and permitting delays ...

[Get Price](#)



Energy storage is a challenge and an opportunity for Chile

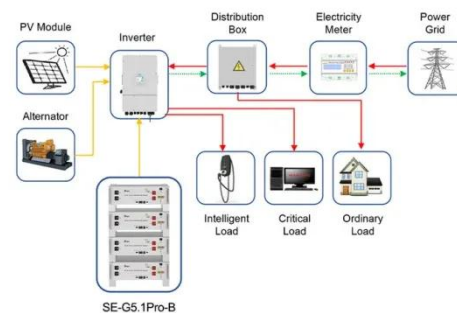
Chile's first battery energy storage projects were commissioned in 2009, and all but two of its 16 administrative regions have facilities in operation, under construction or in the planning stage.

[Get Price](#)

Chile: A 'showcase' for storage and the energy transition

Chile's highly ambitious energy storage strategy, coupled with its significant supplies of lithium - an important component of batteries used in energy storage systems - means that the ...

[Get Price](#)



Application scenarios of energy storage battery products

Energy storage , EDF Chile

With a storage capacity ranging from 4 to 5 hours, these systems provide a versatile and efficient solution for the



electrical grid. Thanks to their duration capabilities, this technology is ideal for both ...

[Get Price](#)

How Energy Storage is Powering Chile's Sustainable Future

Through the deployment of cutting edge battery storage technology, Fluence is not only addressing the technical challenges of Chile's energy transition but also contributing to the nation's broader ...

[Get Price](#)



Chile Energy Storage Industry Holds Promise , EMIS

Chile is exploring a variety of solutions to keep abreast of the changing energy demand landscape ranging from BESS to innovative projects using CO2. In March 2024, BESS Coya, the ...

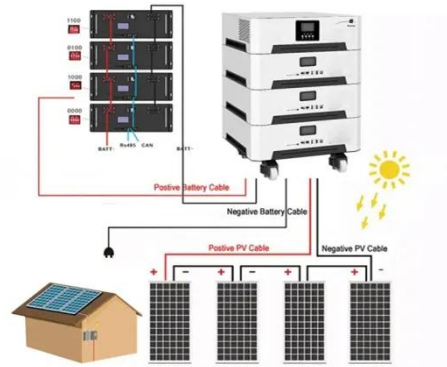
[Get Price](#)

Chile Energy Storage

Chile Energy Storage Chile will need new renewable energy storage systems to

replace its current backup capacity of coal-fired plants and natural gas-powered combined cycle turbines and ...

[Get Price](#)



Chile moves on storage to 'decarbonize the night'

Solar and energy storage deployment is booming in Chile, spurred on by supportive government policy that has been markedly stable for 15 years. Indeed, the nation leads Latin ...

[Get Price](#)

Contact Us

For catalog requests, pricing, or partnerships, please visit:
<https://www.cannabiswow.es>

