

Capacity electricity charges for solar power generation projects



Overview

Unlike energy charges, which are based on the actual consumption of electricity (measured in kilowatt-hours), capacity charges reflect the cost of maintaining sufficient generation and infrastructure to meet peak demand. Both CAISO and PJM have reduced capacity accreditation values for highly correlated resources (e. The 2024 ATB presents capacity factor estimates that encompass a range associated with advanced, moderate, and conservative technology innovation scenarios across the United. Table 1 includes our estimates of development and installation costs for various generating technologies used in the electric power sector. Typical generating technologies for end-use applications, such as combined heat and power or roof-top solar photovoltaics (PV), are described elsewhere in the. Capacity charges typically make up about 25% of your total expenses, but they can vary depending on region, facility load profile and energy year. Capacity energy markets exist in regions overseen by a regional transmission operator (RTO), also called independent system operators (ISO). The purpose. Globally, renewable power capacity is projected to increase almost 4 600 GW between 2025 and 2030 - double the deployment of the previous five years (2019-2024). This data is expressed in US dollars per kilowatt-hour. Data source: IRENA (2025); IRENA (2024) - Learn more.

Capacity electricity charges for solar power generation projects



Utility-Scale PV , Electricity , 2024 , ATB , NLR

The PV industry typically refers to PV CAPEX in units of \$/kW DC based on the aggregated module capacity. The electric utility industry typically refers to PV CAPEX in units of \$/kW AC based on the ...

[Get Price](#)

Understanding Capacity Charges and the Cost of Energy Procurement

Learn how capacity charges affect energy costs and why understanding them is crucial for solar project planning. If your business is located in a capacity energy market, then capacity charges may ...



[Get Price](#)



Levelized cost of energy for renewables, World

Solar (photovoltaic) panels cumulative capacity Solar and wind power generation Solar energy generation by region Solar energy generation vs. capacity Solar photovoltaic module prices vs. ...

[Get Price](#)

LEVELIZED COST OF ENERGY+

Cost of Energy Version 18.0 Renewables Remain Competitive: On an unsubsidized \$/MWh basis, renewable energy remains the most cost-competitive form of generation. As such, renewable energy

...

[Get Price](#)



Capacity Payments , Understanding Pricing and Managing Costs

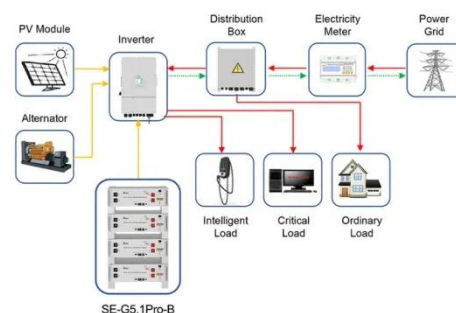
Capacity payments can be significant revenue sources for generators because they are still paid whether or not the power plant produces any electricity. For example, the same 100 MW ...

[Get Price](#)

Solar Photovoltaic System Cost Benchmarks

These benchmarks help measure progress toward goals for reducing solar electricity costs and guide SETO research and development programs. Read more to find out how these cost benchmarks are ...

[Get Price](#)



Application scenarios of energy storage battery products

America's Electricity Generation Capacity, 2025 Update



Table 1.1 shows the sources from which electricity can be generated in the U.S. Natural gas facilities make up a plurality of America's current generation capacity, followed by coal, wind, and solar ...

[Get Price](#)

Renewable electricity - Renewables 2025 - Analysis

Globally, renewable power capacity is projected to increase almost 4 600 GW between 2025 and 2030 - double the deployment of the previous five years (2019-2024). Growth in utility-scale and distributed ...



[Get Price](#)



Cost and Performance Characteristics of New Generating ...

Total overnight cost for wind and solar PV technologies in the table are the average input value across all 25 electricity market regions, as weighted by the respective capacity of that type installed during ...

[Get Price](#)

capacity charges explained

Unlike energy charges, which are based

on the actual consumption of electricity (measured in kilowatt-hours), capacity charges reflect the cost of maintaining sufficient generation ...

[Get Price](#)



Contact Us

For catalog requests, pricing, or partnerships, please visit:
<https://www.cannabiswow.es>

