

Belize Special Energy Storage Battery Price



Overview

The recent Belize energy storage winning bid price announcement has sent ripples across Central America's renewable energy sector. With a finalized bid price of \$89.70 per MWh for a 60MW/120MWh battery storage project, Belize demonstrates its commitment to stabilizing grid infrastructure while. Expansion Plan (LCEP). In that Order the PUC approved, among other generation and system expansion projects, the installation of 20 MW of BESS via a competitive bidding process to come online by the first quarter of 2027. BEL seeks to add this 20MW/80MWh of battery energy storage capacity by March. BELMOPAN, Belize — In a transformative move for its national energy sector, the Government of Belize has officially opened a tender for a consultancy firm to oversee the development of a massive 40 MW solar plant and a 20 MW/80 MWh battery energy storage system (BESS)., Febru- The Government of Belize, in partnership with the World Bank and the Government of Canada, announced the launch of a new energy project aimed at strengthening the country's power supply and improving the reliability of its electricity services. 4 million. Whether you're a homeowner in Belize City or an eco-conscious resident in San Ignacio, understanding Belize home energy storage system prices is crucial for making informed decisions. With rising electricity costs and frequent power outages, home energy storage systems have become a hot topic in. The average Belize thermal energy storage price currently ranges between \$80-\$300 per kWh depending on the tech used, but here's the kicker: smart storage could slash hotel energy bills by 30% during peak tourist seasons. The Tech Buffet: What's Cooking in Belize's TES Market?

The new Belize Energy.

Belize Special Energy Storage Battery Price



Powering Progress in La Isla Bonita - BEL's Battery Energy Storage

The deployment of a 10 MW Battery Energy Storage System will further strengthen the energy supply to the island, particularly during peak demand hours. The system will allow BEL to store electricity ...

[Get Price](#)

BELIZE ENERGY STORAGE CONTAINER SALES PRICE

BELIZE ENERGY STORAGE CONTAINER SALES PRICE. Our certified energy specialists provide round-the-clock monitoring and support for all installed home energy storage systems.

[Get Price](#)



- ✓ ALL IN ONE
- ✓ 100Kw/174Kwh High Capacity
- ✓ Intelligent Integration

Belize Energy Storage Winning Bid Price Announcement: What It Means ...

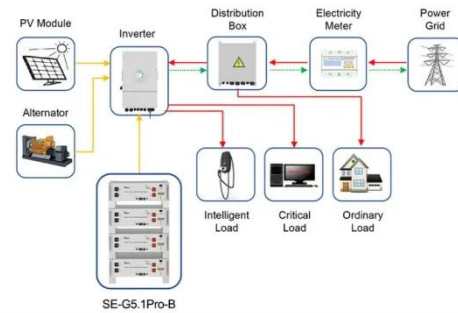
With a finalized bid price of \$89.70 per MWh for a 60MW/120MWh battery storage project, Belize demonstrates its commitment to stabilizing grid infrastructure while accelerating solar and wind integration.

[Get Price](#)

Belize Launches Major Solar-Plus-Storage Tender to Overhaul National

Belize has long struggled with high electricity costs and vulnerability to volatile oil prices. By integrating large-scale storage, the country can "smooth out" the intermittent nature of solar power, making ...

[Get Price](#)



Application scenarios of energy storage battery products



Belize Launches New Energy Project to Enhance Power Reliability and

Currently, low-income households in Belize spend up to 30% of their pre-tax income on electricity. The battery systems will also support the integration of renewable energy sources like solar and wind into ...

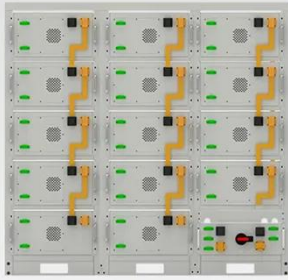
[Get Price](#)

BELIZE ENERGY STORAGE RENTAL PRICES

The average Belize thermal energy storage price currently ranges between \$80-\$300 per kWh depending on the tech used, but here's the kicker: smart storage could slash hotel energy bills by 30% during peak tourist ...

[Get Price](#)





Battery String-S224

- 1C Charge/Discharge
- Easy configuration and maintenance
- Power supply can be single battery string or parallel battery strings

Belize Home Energy Storage System Prices: Trends, Costs, and ...

Whether you're a homeowner in Belize City or a eco-conscious resident in San Ignacio, understanding Belize home energy storage system prices is crucial for making informed decisions.

[Get Price](#)

BELIZE BATTERY ENERGY STORAGE MARKET 2024 2030

The average Belize thermal energy storage price currently ranges between \$80-\$300 per kWh depending on the tech used, but here's the kicker: smart storage could slash hotel energy bills by 30% during peak tourist ...

[Get Price](#)



20 MW BATTERY ENERGY

In pursuit of the foregoing objectives, BEL will pre-qualify prospective bidders that satisfy the minimum capacity requirements to finance and develop 20MW/80MWh of Battery Energy Storage Systems.

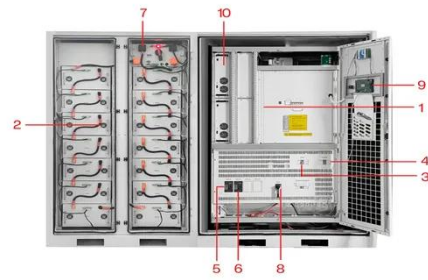
[Get Price](#)

Belize Thermal Energy Storage Prices: Trends, Technologies, and Real

The average Belize thermal energy

storage price currently ranges between \$80-\$300 per kWh depending on the tech used, but here's the kicker: smart storage could slash hotel energy bills by 30% ...

[Get Price](#)



- | | | | |
|---|---------------------------|----|---------------------------|
| 1 | PCS Module | 6 | OPV2 side circuit breaker |
| 2 | Battery room | 7 | High Volt Box |
| 3 | Grid side circuit breaker | 8 | BAT side circuit breaker |
| 4 | Load side circuit breaker | 9 | LCD display screen |
| 5 | OPV1 side circuit breaker | 10 | MPPT |

Contact Us

For catalog requests, pricing, or partnerships, please visit:
<https://www.cannabiswow.es>

