

Basic classification of photovoltaic brackets



Overview

Solar brackets that support photovoltaic modules can be divided into rooftop, ground, and water surface types according to the usage scenarios of the modules; According to whether the component angle can be adjusted during the operation of the power generation system, it can be divided. Solar brackets that support photovoltaic modules can be divided into rooftop, ground, and water surface types according to the usage scenarios of the modules; According to whether the component angle can be adjusted during the operation of the power generation system, it can be divided. Components of solar photovoltaic brackets: Solar photovoltaic bracket is a special bracket designed for placing, installing, and fixing solar panels in solar photovoltaic power generation systems. The general materials include aluminum alloy, carbon steel, and stainless steel. As a manufacturer of. Before designing photovoltaic modules, it is necessary to understand the structural classification and selection scheme of solar brackets. Applicable scenarios: Suitable for large photovoltaic power stations, centralized solar power generation systems and places with high requirements for power generation. Brackets and break down the different types that exist. In windy w grid-connected and a stand-alone mode of operations. The difference between it and the traditional bracket is that the photovoltaic bracket needs to be customized according to the size and shape of the solar panel to meet.

Basic classification of photovoltaic brackets



Structural Classification And Selection Scheme Of ...

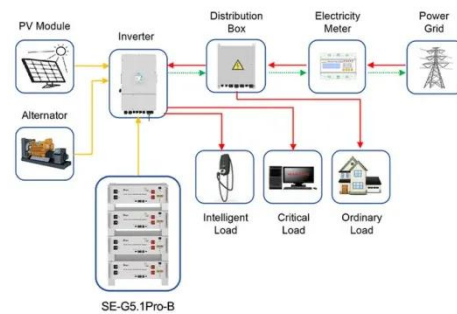
Before designing photovoltaic modules, it is necessary to understand the structural classification and selection scheme of solar brackets.

[Get Price](#)

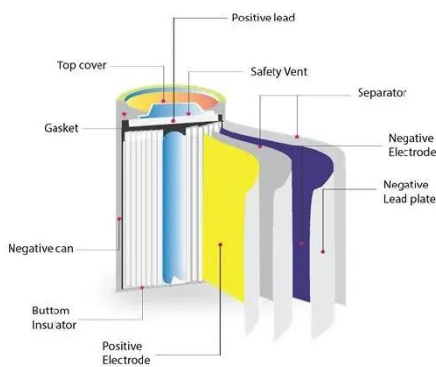
Photovoltaic bracket types description and comparison

According to the different materials used in the main force-bearing rod of the PV bracket, it can be divided into aluminium alloy bracket, steel bracket and non-metallic bracket

[Get Price](#)



Application scenarios of energy storage battery products



Photovoltaic Bracket Introduction, Installation Precautions And Market

At present, the common photovoltaic brackets on the market are mainly divided into three types according to the material: concrete brackets, steel brackets and aluminum alloy brackets.

[Get Price](#)

Choosing the Right Photovoltaic Panel Brackets and Panel Types for

Summary: Discover how selecting the optimal photovoltaic panel brackets and panel types can boost energy efficiency, reduce installation costs, and maximize ROI for residential, commercial, and ...

[Get Price](#)



Detailed summary of photovoltaic bracket types

Photovoltaic brackets can also be divided into small, medium and large according to load-bearing capacity to meet the needs of photovoltaic systems of different sizes.

[Get Price](#)

Classification of solar photovoltaic brackets?

At present, the commonly used solar photovoltaic brackets in my country are divided into three types: concrete brackets, steel brackets and aluminum alloy brackets.

[Get Price](#)



Photovoltaic Bracket Component Classification Table: The Ultimate ...

That's where a well-designed



photovoltaic bracket component classification table becomes your secret weapon. Think of it as the LEGO instruction manual for solar arrays, helping you sort through:

[Get Price](#)

Components and classification of solar photovoltaic brackets

Solar photovoltaic brackets come in two main types--fixed and adjustable. Fixed brackets are designed to hold the solar panels at a predetermined angle, typically suitable for regions ...



[Get Price](#)

Get to know photovoltaic brackets

The photovoltaic bracket is relatively simple to understand, so I won't describe it in too much detail. Photovoltaic brackets are divided into fixed brackets and tracking brackets.



[Get Price](#)

Classification And Design Of Fixed Photovoltaic Mounts

PV brackets can be divided into three types: fixed, tilt-adjustable, and auto-tracking type, and its connection method

generally has two forms of welding and assembly. Among them, fixed ...

[Get Price](#)



Contact Us

For catalog requests, pricing, or partnerships, please visit:
<https://www.cannabiswow.es>

