

Amman Tool Battery



Amman Tool Battery



Amazon : Power Tool Batteries

1-48 of over 100,000 results for "power tool batteries" Results Check each product page for other buying options.

[Get Price](#)

TOTAL 12V 1.5Ah Lithium-Ion Battery (TBLI12151) - Ideal for TOTAL

TOTAL 12V 1.5Ah Lithium-Ion Battery (TBLI12151) - Ideal for TOTAL Cordless Tools

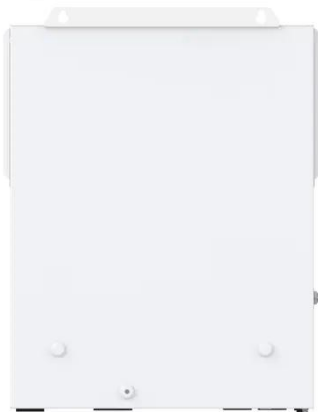
[Get Price](#)



Total Li-ion 12V 1.5Ah Battery Pack for Power Tools and Devices

This Li-ion 12V 1.5Ah battery pack is a reliable power source designed for a variety of devices and tools. It provides a consistent and efficient energy supply, making it ideal for both professional and personal ...

[Get Price](#)



Total Batteries and Chargers - Amman hardware Stores

This charger is compatible with many Total batteries used in cordless steel screwdrivers and other power tools, making it an ideal charger for home and professional use.

[Get Price](#)



Li-Ion Battery Pack 16.8 V

Get powerful 16.8V Li-Ion battery packs for your devices. Long-lasting and reliable. Shop now and enjoy high-performance energy solutions.

[Get Price](#)

TOTAL 20V Cordless Impact Wrench 850Nm Torque, 4Ah Li-ion ...

Designed for ultimate portability, this impact wrench operates on a reliable 20V Li-ion battery system, freeing you from the constraints of power cords and allowing you to work anywhere the job takes you.

[Get Price](#)

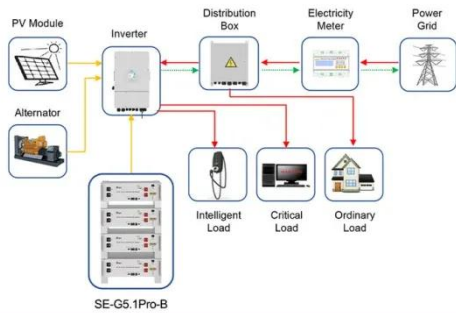


Lithium Power Tool Cordless Power Tool Batteries

Shop high-quality replacement power

tool batteries at Battery Mart. Compatible with DeWalt, Makita, Ryobi, Craftsman, Milwaukee & more. Fast shipping, low prices.

[Get Price](#)



Application scenarios of energy storage battery products

Total 4-piece battery set with dual charger - Amman hardware Stores

This kit features powerful performance and high reliability, making it ideal for use in portable power tools and hand tools. The powerful batteries provide enough power to operate many devices for a long ...

[Get Price](#)



20V Li-Ion Battery Pack , Sama Amman Tools

Shop the powerful Li-Ion Battery Pack 20V for long-lasting, reliable energy. Perfect for tools and devices. Get yours now!

[Get Price](#)



Total 20V Cordless Drill with Battery, Charger, and 40-Piece

...

A powerful tool powered by a 20-volt lithium-ion battery, used to perform many tasks. Cutting materials requires It features a portable and lightweight design, making it easy to carry and use even in tight ...

[Get Price](#)



Contact Us

For catalog requests, pricing, or partnerships, please visit:
<https://www.cannabiswow.es>

