

5MWh Photovoltaic Energy Storage Unit for Construction Sites



Overview

The 5MWh ESS is a turnkey energy storage solution designed for industrial and commercial applications. It combines high-capacity battery modules with a reliable PCS inverter system, all within IP55-rated, fire-protected containers. Featuring liquid-cooled 314Ah cells, it offers scalable capacity, intelligent thermal management, and advanced fire protection within a compact IP55-rated. 1□ 5MWh Containerized Energy Storage System 2□ Modular design allows convenient installation, saving labor cost. 3□ Extendable-modular, adding more capacities as needed, Nx5MWh. 4□ Safest LiFePO4 technology, sustained power supply. 5□ Long lifespan, up to 6000 cycles. This article discusses the key points of the 5MWh+ energy storage system.

5MWh Photovoltaic Energy Storage Unit for Construction Sites



5MWh Energy Storage Container System

The HJ-G0-5000F is a 5 MWh lithium iron phosphate (LFP) energy storage system, designed for reliability in harsh environments. With LFP 3.2V/314Ah cells, $\leq 3\%$ self-discharge, and $\leq 5\%$ SOC ...

[Get Price](#)

Falcon 5MWh container

The 5MWh ESS is a turnkey energy storage solution designed for industrial and commercial applications. It combines high-capacity battery modules with a reliable PCS inverter system, all within ...



[Get Price](#)



5mwh battery compartments the ultimate energy storage container

In the rapidly evolving landscape of renewable energy, 5MWh battery compartments housed in robust energy storage containers have emerged as a game-changing solution for solar power projects ...

[Get Price](#)

Key aspects of a 5MWh+ energy storage system

This article discusses the key points of the 5MWh+ energy storage system. It explores the advantages and specifications of the 1.5MWh and 5MWh+ energy storage systems, as well as the changes in ...



[Get Price](#)



Think Inside the Box: 5MWh of Smart Storage

The Solition Mega Five is a high capacity 5MWh energy storage system designed for maximum efficiency, safety, and simplicity. With advanced liquid cooling, AI-driven diagnostics, and 95% system ...

[Get Price](#)

Soundon New Energy 5MWh Container Energy Storage System

The 5MWh container energy storage system is a super cool solution that seamlessly combines different parts, like a Lithium iron phosphate battery, Battery Management System, Gaseous Fire Suppression ...



[Get Price](#)

5MWh Containerized Energy Storage System



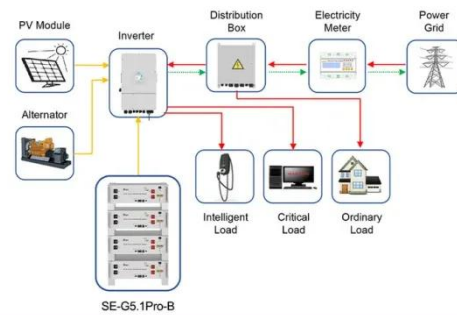
Product features(Containerized Energy Storage System): Low energy consumption, long life, high consistency, high stability. Application scenarios: photovoltaic power plants, wind power stations, ...

[Get Price](#)

Solar Container , Large Mobile Solar Power Systems

LZY offers large, compact, transportable, and rapidly deployable solar storage containers for reliable energy anywhere.

[Get Price](#)



Application scenarios of energy storage battery products

5MWh Energy Storage System Manufacturer & Supplier , Wenergy



The 5MWh ESS is a turnkey energy storage solution designed for industrial and commercial applications. It combines high-capacity battery modules with a reliable PCS inverter system, all within ...

[Get Price](#)

PowerTitan 2.0 Liquid Cooling Energy Storage System

Sungrow's PowerTitan 2.0 offers scalable 5MWh liquid-cooled energy storage, featuring 2.5MW/1.25MW outputs, designed for high-demand commercial & industrial applications

[Get Price](#)



Contact Us

For catalog requests, pricing, or partnerships, please visit:
<https://www.cannabiswow.es>

